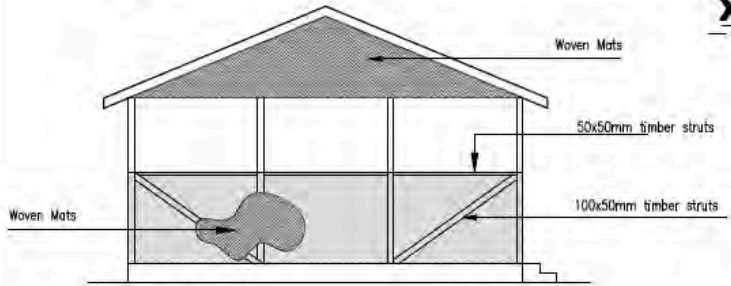
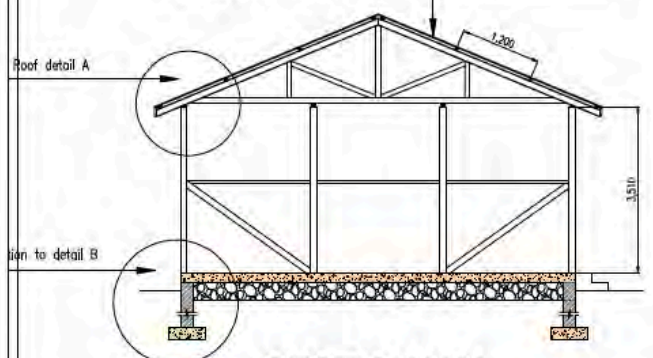


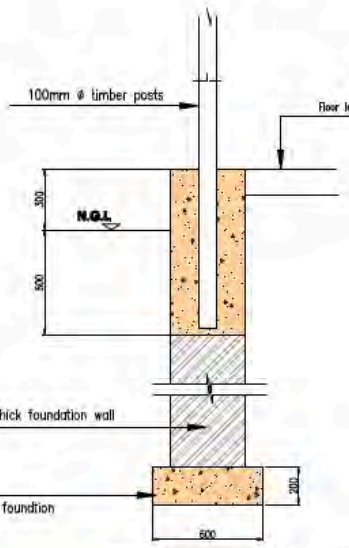
FLOOR PLANS



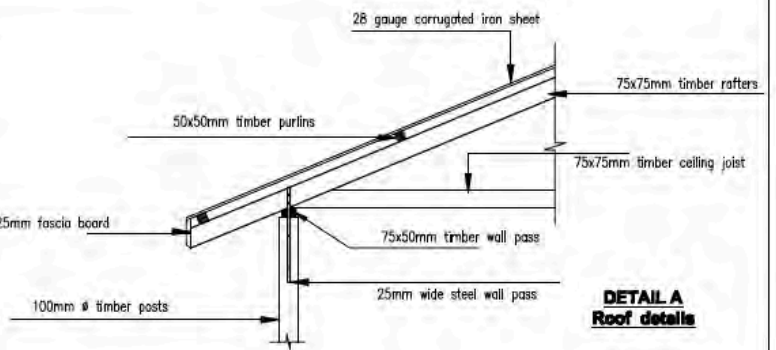
SIDE ELEVATION



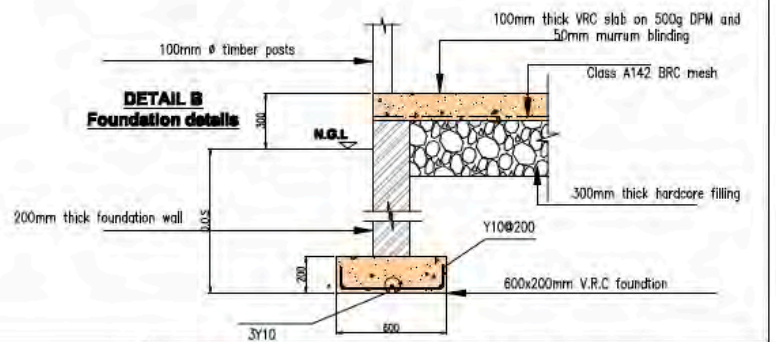
SECTION X-X



Timber Column foundation details



**DETAIL A
Roof details**



**DETAIL B
Foundation details**

- Notes**
- All dimensions are in 'mm' and levels in metre.
 - Foundation depth to be determined on site.
 - Use concrete mix C20 for foundations and C15 for blinding.
 - Roof pitch is 22.5°

No.	Revision	Approved	Date



Project :

**PROPOSED SEMI-PERMANENT
PRIMARY SCHOOL
AT IFO.3 AND KAMBOOS
REFUGEE CAMP**



Title : SEMI-PERMANENT SCHOOLS

Checked by :	Christine G.	
Drawn by :	Christine G.	28 sept 2011
DRG NO. DR.C.2705.001	Scale :	AS SHOWN
Client approved :		