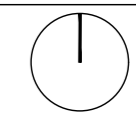


NOTES:

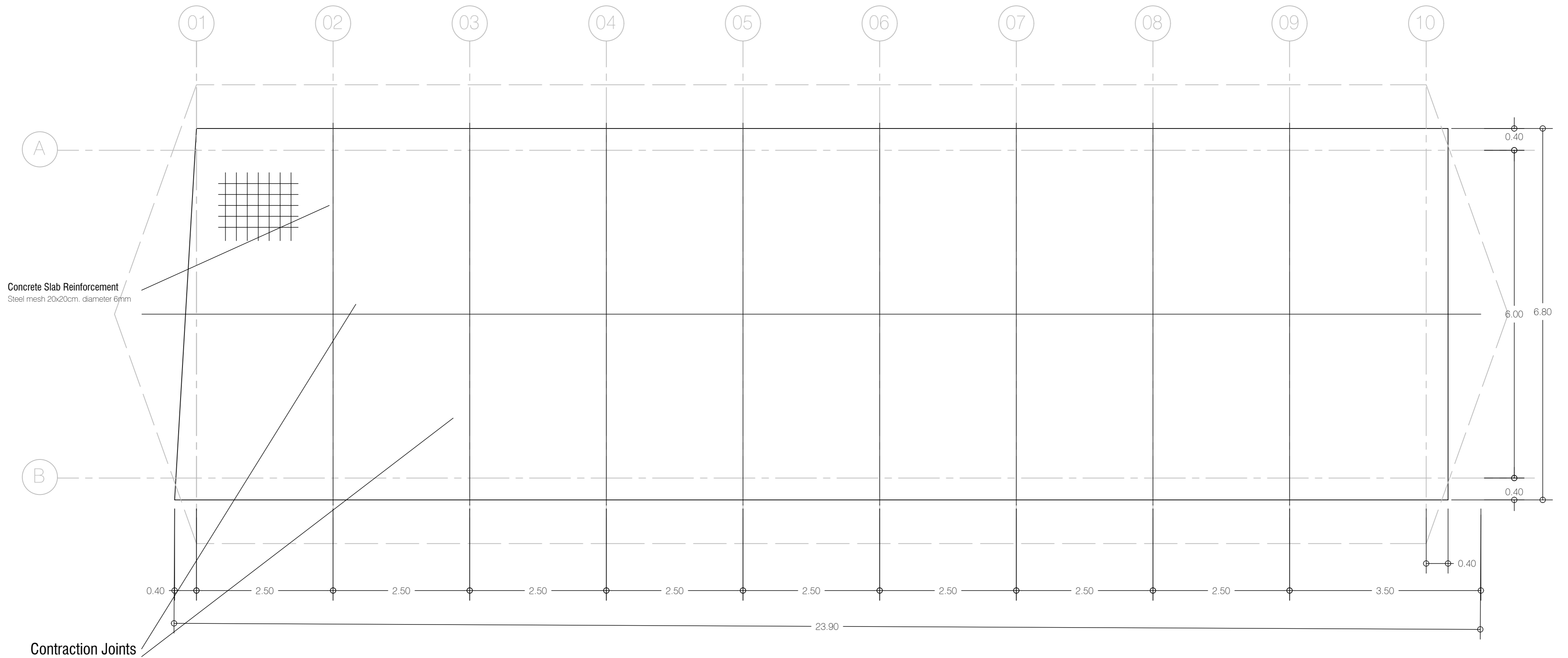
1. All dimensions are in meters unless otherwise specified.
2. Drawings are not to be scaled.
3. In case of any discrepancy in dimensioning same has to be brought to the notice of the architect.
4. The drawing should not be measured, follow written dimensions only.
5. All levels are from unfinished floor level.



WORKING DRAWINGS

Sheet Title	FOUNDATION PLAN	
Drawing no.	FP_01_00	Rev. no.
Scale	1:50	
Project no.	KECDTP2_2022/05	
Drawn by	Juan Cuevas Durán	
Checked by		

This drawing is copyright.
 It is property of KECD and is not to be reproduced, copied or handed over to a third party or used for any purpose other than that for which it has been loaned.

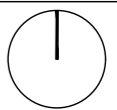


Concrete Slab Reinforcement
Steel mesh 20x20cm. diameter 6mm

Contraction Joints

NOTES:

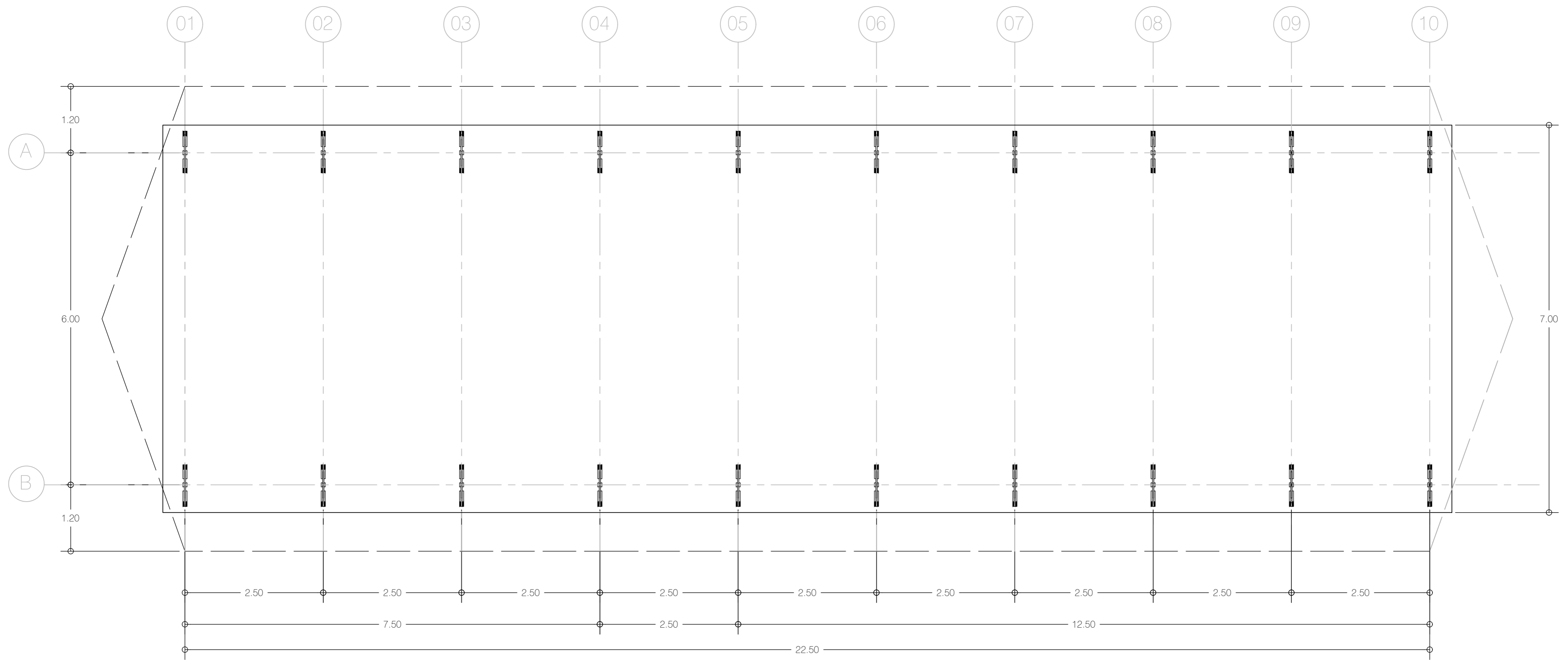
1. All dimensions are in meters unless otherwise specified.
2. Drawings are not to be scaled.
3. In case of any discrepancy in dimensioning same has to be brought to the notice of the architect.
4. The drawing should not be measured, follow written dimensions only.
5. All levels are from unfinished floor level.



WORKING DRAWINGS

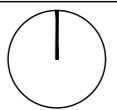
Sheet Title	CONCRETE SLAB PLAN		
Drawing no.	FP_02_00	Rev. no.	01
Scale	1:50		
Project no.	KECDTPA_2022/05		
Drawn by	Juan Cuevas Durán		
Checked by			

This drawing is copyright.
It is property of KECD and is not to be reproduced, copied or handed over to a third party or used for any purpose other than that for which it has been loaned.



NOTES:

1. All dimensions are in meters unless otherwise specified.
2. Drawings are not to be scaled.
3. In case of any discrepancy in dimensioning same has to be brought to the notice of the architect.
4. The drawing should not be measured, follow written dimensions only.
5. All levels are from unfinished floor level.

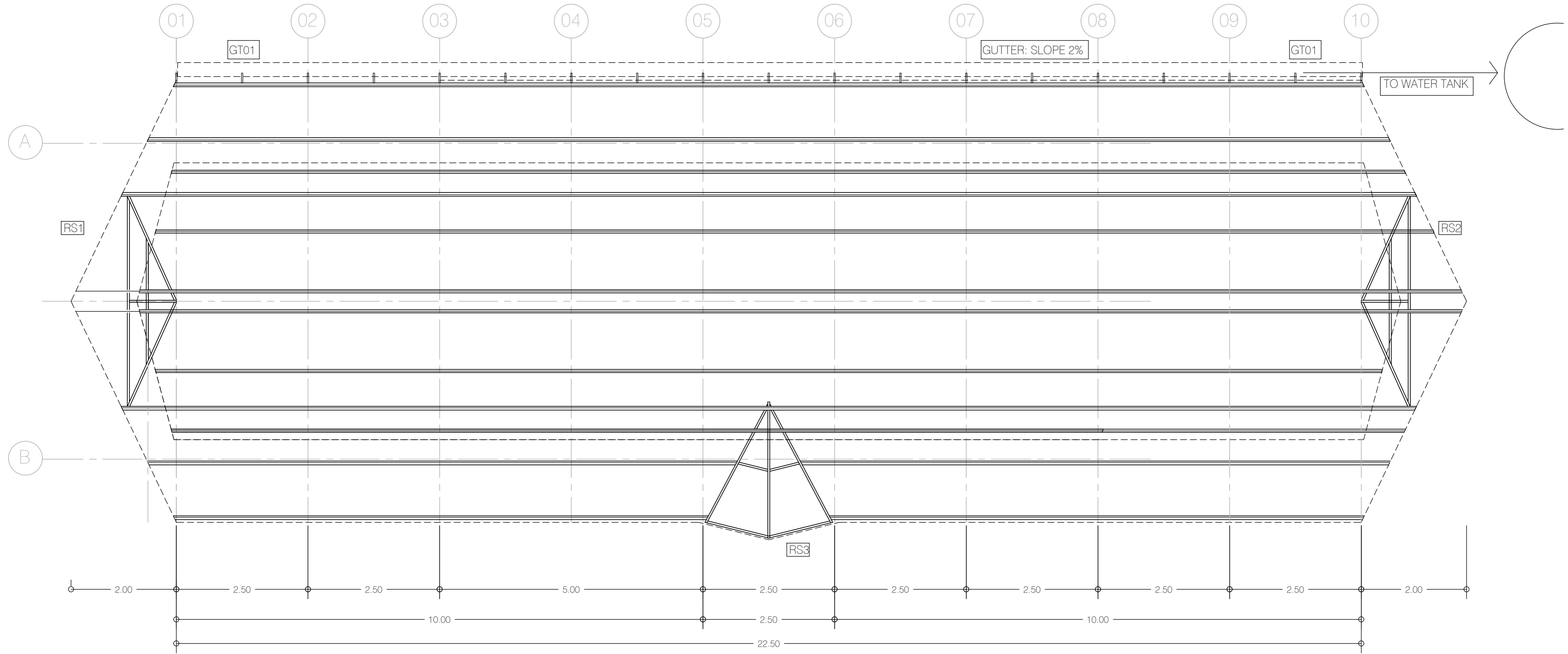


WORKING DRAWINGS

Sheet Title	FLOORPLAN +0.70m		
Drawing no.	FP_03_00	Rev. no.	01
Scale	1:50		
Project no.	KECDTPA_2022/05		
Drawn by	Juan Cuevas Durán		
Checked by			

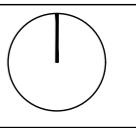
This drawing is copyright.

It is property of KECD and is not to be reproduced, copied or handed over to a third party or used for any purpose other than that for which it has been loaned.



NOTES:

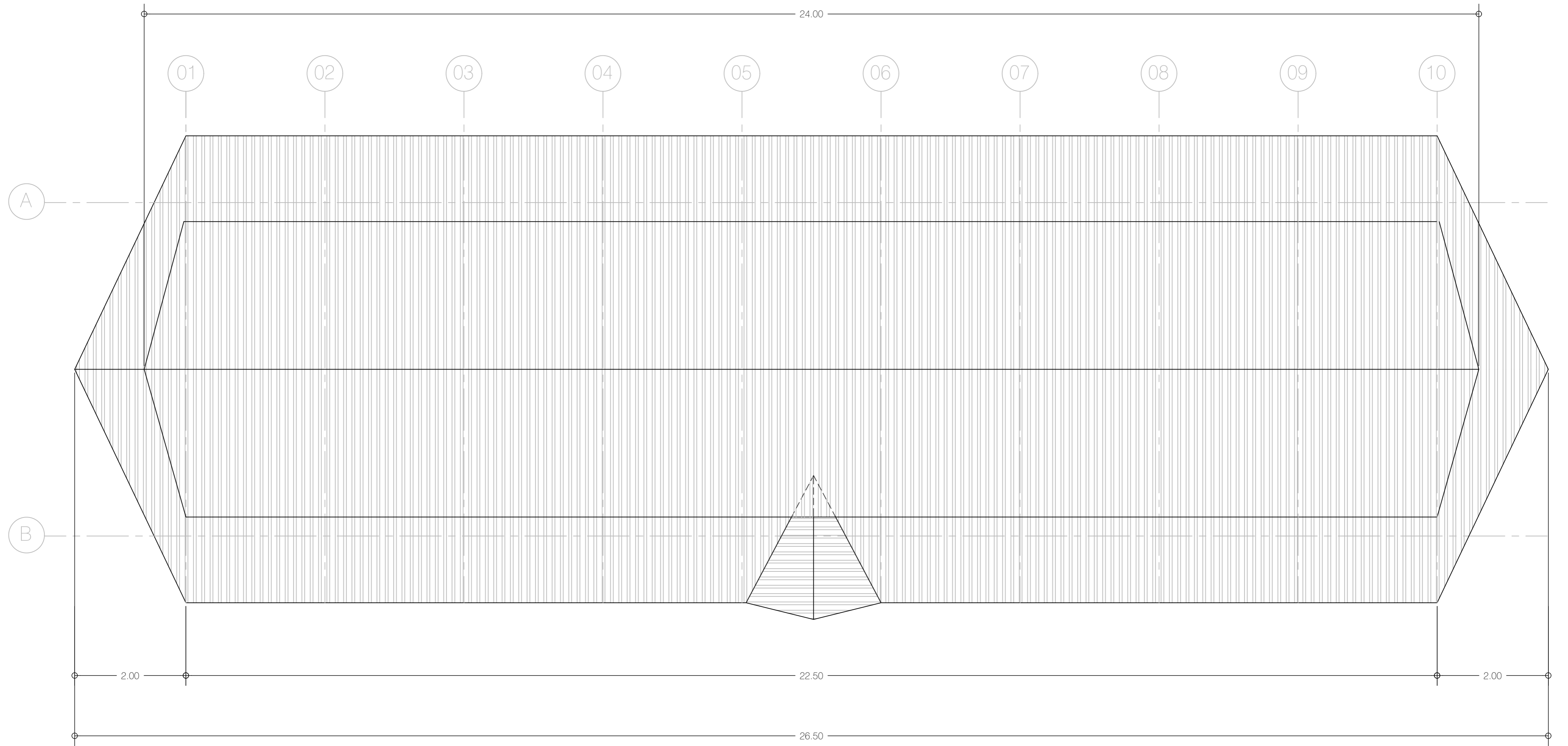
1. All dimensions are in meters unless otherwise specified.
2. Drawings are not to be scaled.
3. In case of any discrepancy in dimensioning same has to be brought to the notice of the architect.
4. The drawing should not be measured, follow written dimensions only.
5. All levels are from unfinished floor level.



WORKING DRAWINGS

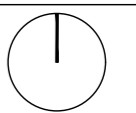
Sheet Title	ROOF STRUCTURE PLAN	
Drawing no.	FP_05_00	Rev. no.
Scale	1:50	
Project no.	KECDTP2_2022/05	
Drawn by	Juan Cuevas Durán	
Checked by		

This drawing is copyright.
 It is property of KECD and is not to be reproduced, copied or handed over to a third party or used for any purpose other than that for which it has been loaned.



NOTES:

1. All dimensions are in meters unless otherwise specified.
2. Drawings are not to be scaled.
3. In case of any discrepancy in dimensioning same has to be brought to the notice of the architect.
4. The drawing should not be measured, follow written dimensions only.
5. All levels are from unfinished floor level.

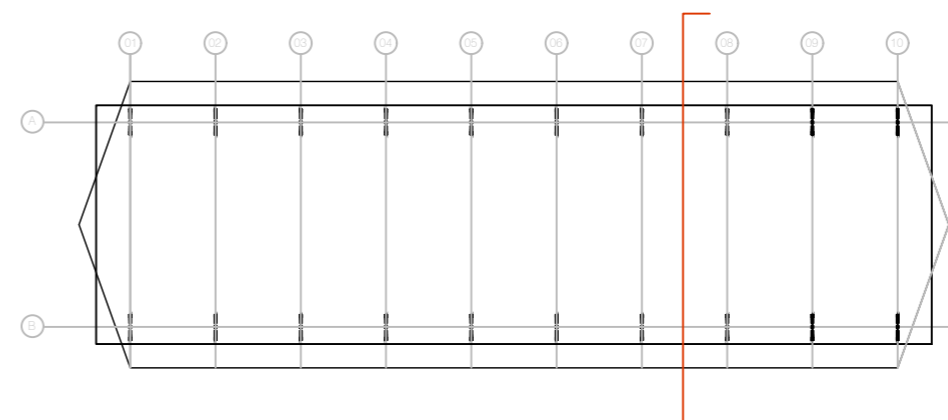
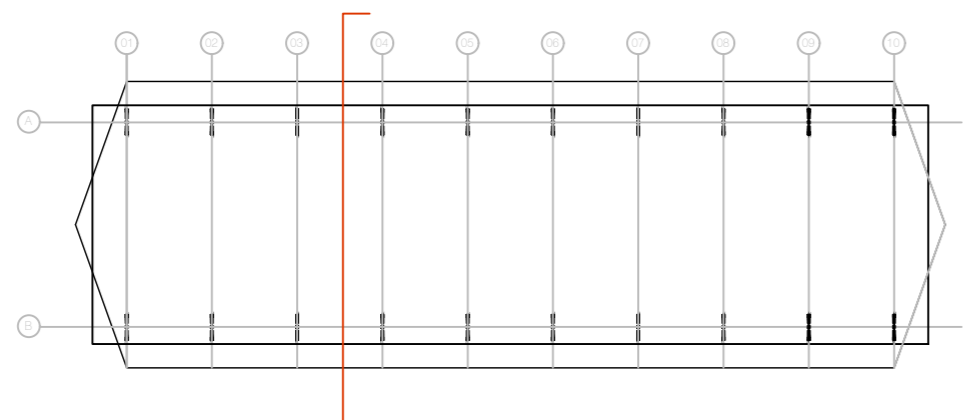
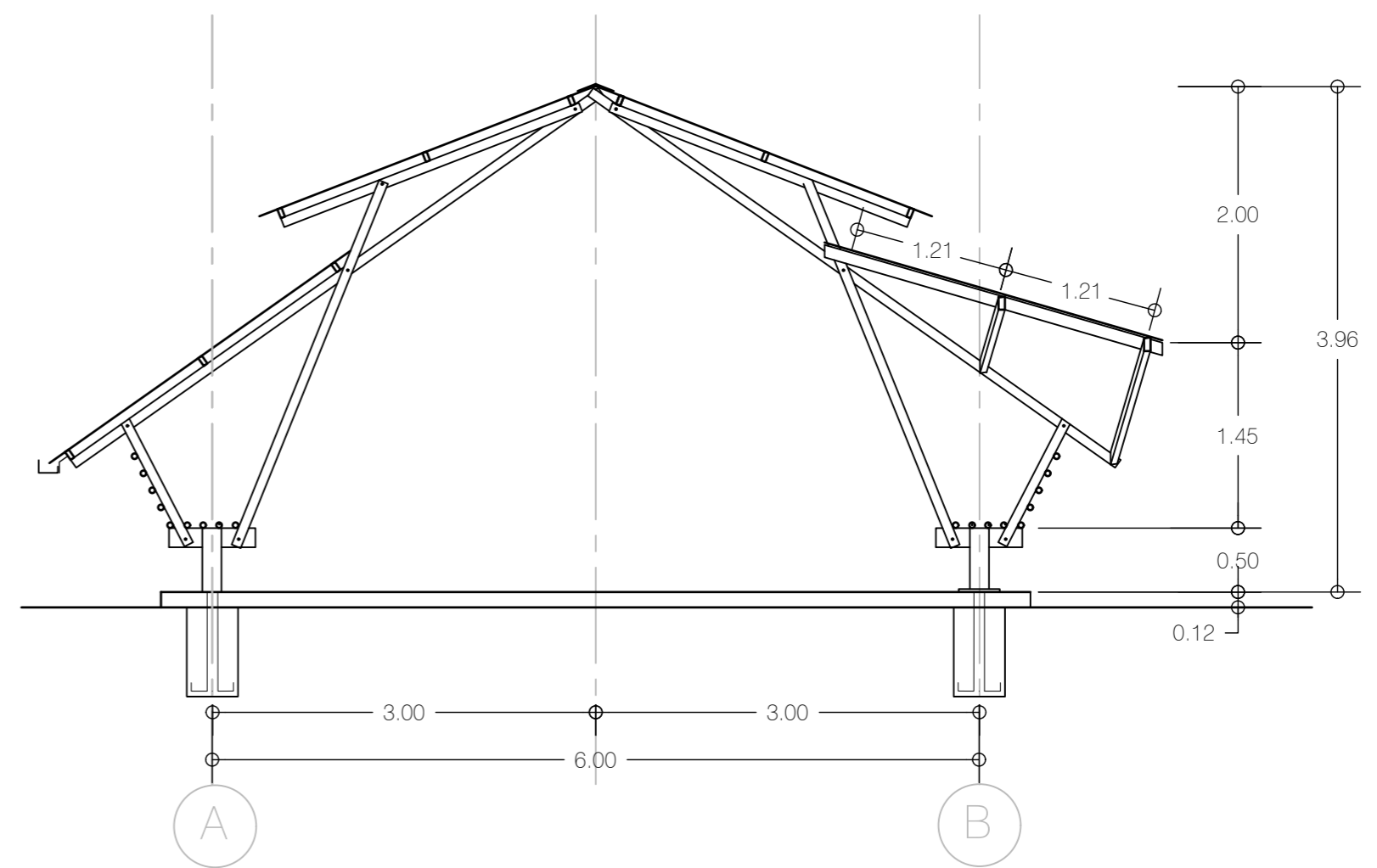
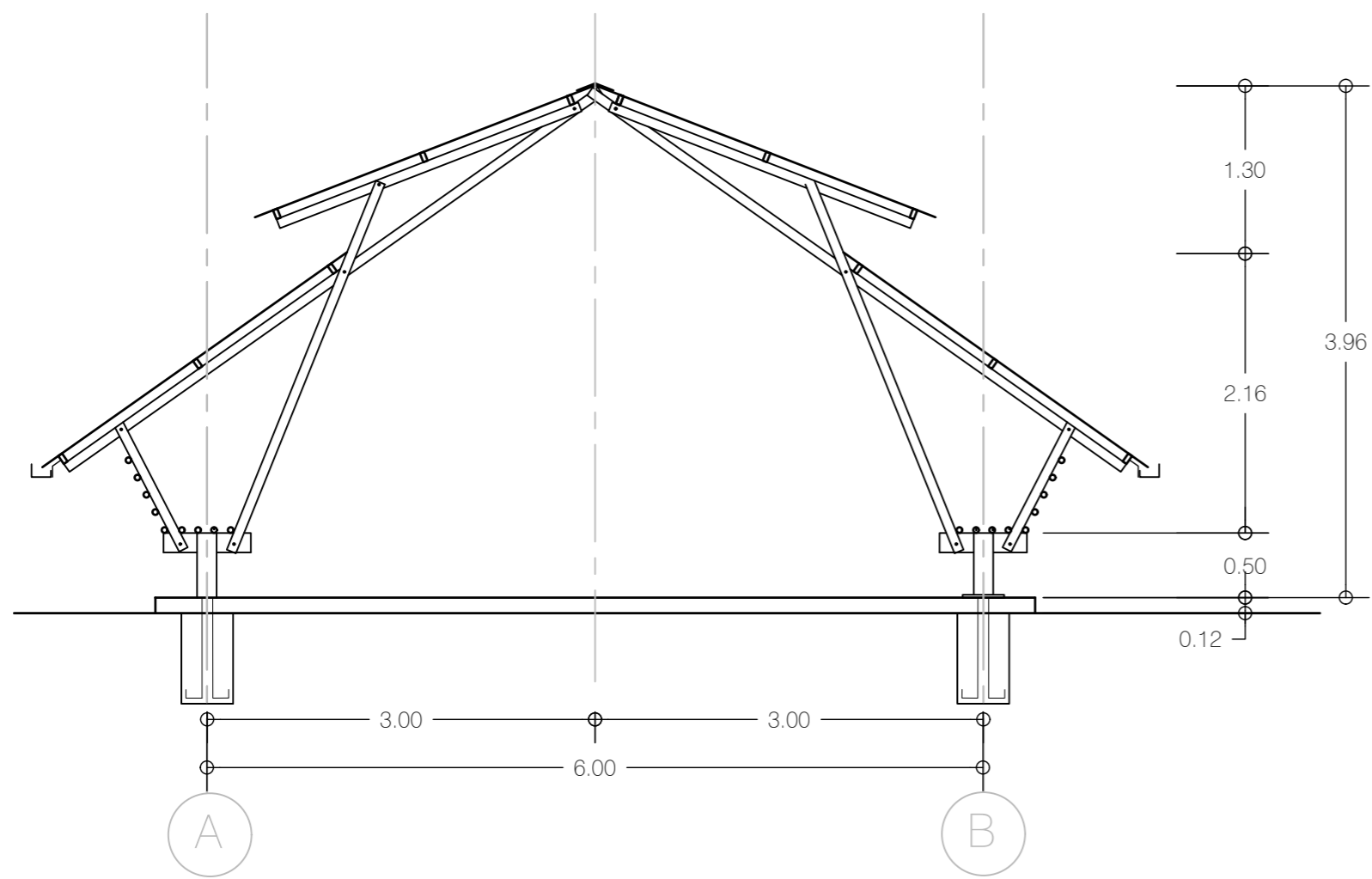


WORKING DRAWINGS

Sheet Title	ROOF PLAN	
Drawing no.	FP_04_00	Rev. no.
Scale	1:50	
Project no.	KECDTPA_2022/05	
Drawn by	Juan Cuevas Durán	
Checked by		

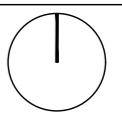
This drawing is copyright.

It is property of KECD and is not to be reproduced, copied or handed over to a third party or used for any purpose other than that for which it has been loaned.



NOTES:

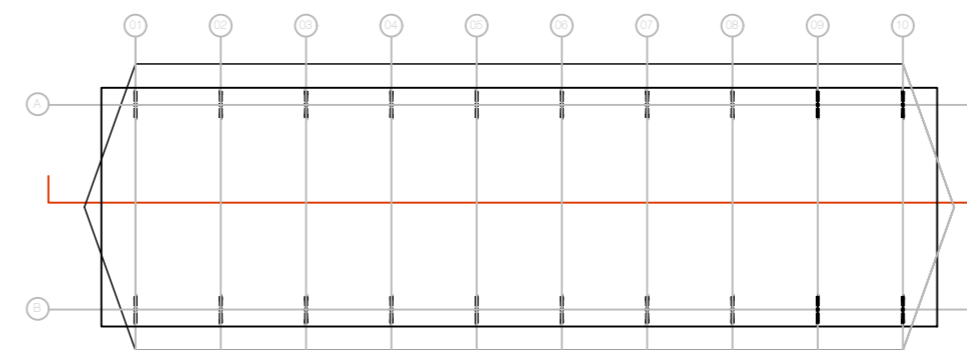
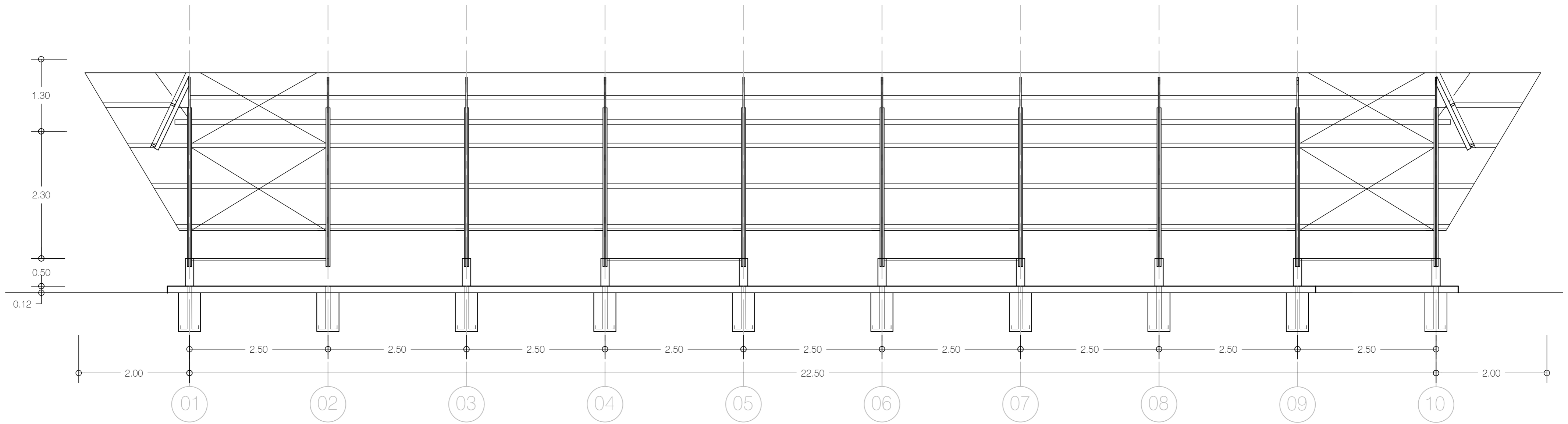
1. All dimensions are in meters unless otherwise specified.
2. Drawings are not to be scaled.
3. In case of any discrepancy in dimensioning same has to be brought to the notice of the architect.
4. The drawing should not be measured, follow written dimensions only.
5. All levels are from unfinished floor level.



WORKING DRAWINGS

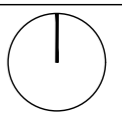
Sheet Title	SECTION AA', SECTION BB'
Drawing no.	SC_01_00 Rev. no.
Scale	1:50
Project no.	KECDTP2_2022/05
Drawn by	Juan Cuevas Durán
Checked by	

This drawing is copyright.
It is property of KECD and is not to be reproduced, copied or handed over to a third party or used for any purpose other than that for which it has been loaned.



NOTES:

1. All dimensions are in meters unless otherwise specified.
2. Drawings are not to be scaled.
3. In case of any discrepancy in dimensioning same has to be brought to the notice of the architect.
4. The drawing should not be measured, follow written dimensions only.
5. All levels are from unfinished floor level.

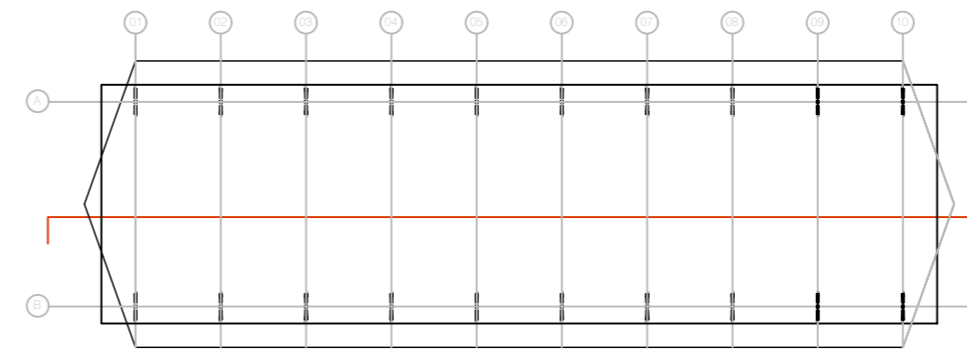
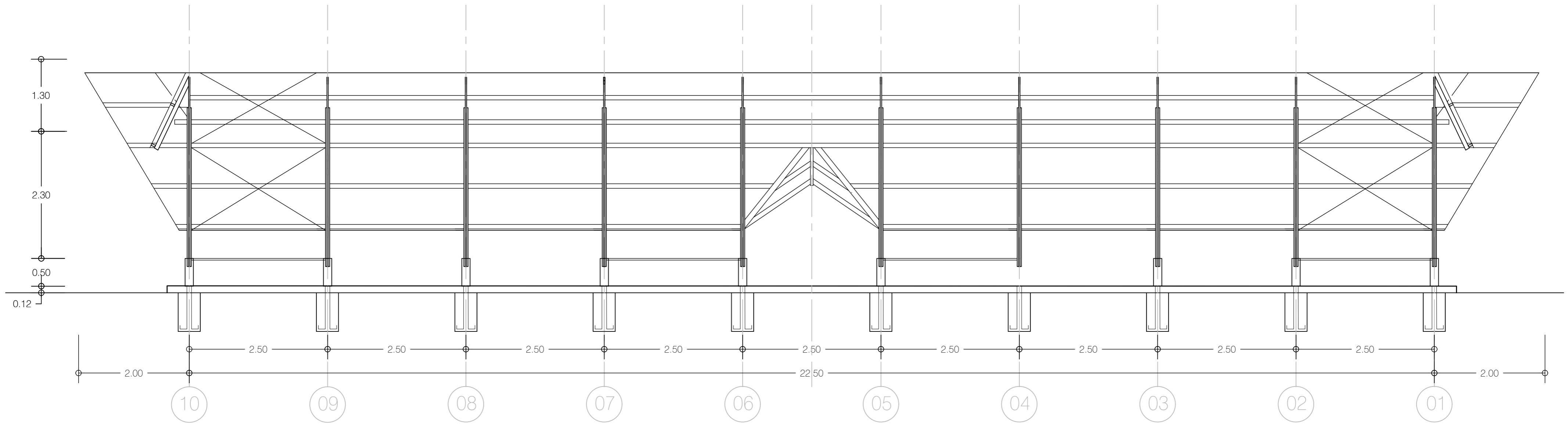


WORKING DRAWINGS

Sheet Title	SECCION AA'	
Drawing no.	SC_02_00	Rev. no.
Scale	1:50	
Project no.	KECDTPA_2022/06	
Drawn by	Juan Cuevas Durán	
Checked by		

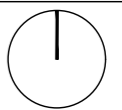
This drawing is copyright.

It is property of KECD and is not to be reproduced, copied or handed over to a third party or used for any purpose other than that for which it has been loaned.



NOTES:

1. All dimensions are in meters unless otherwise specified.
2. Drawings are not to be scaled.
3. In case of any discrepancy in dimensioning same has to be brought to the notice of the architect.
4. The drawing should not be measured, follow written dimensions only.
5. All levels are from unfinished floor level.

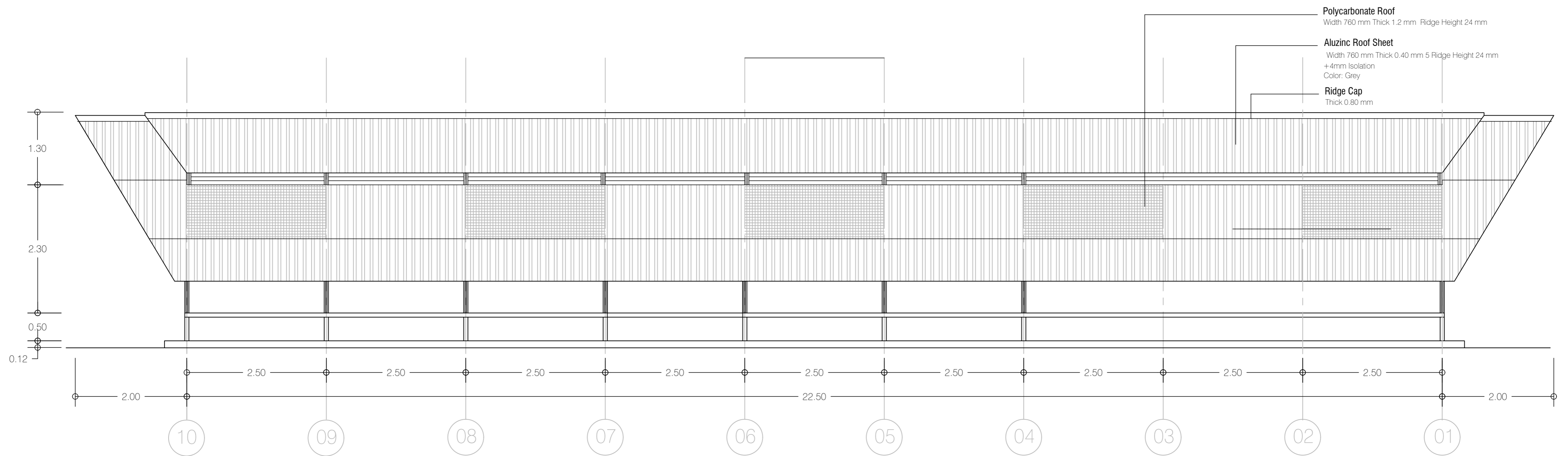


WORKING DRAWINGS

Sheet Title	SECTION BB'	
Drawing no.	SC_03_00	Rev. no.
Scale	1:50	
Project no.	KECDTPA_2022/06	
Drawn by	Juan Cuevas Durán	
Checked by		

This drawing is copyright.

It is property of KECD and is not to be reproduced, copied or handed over to a third party or used for any purpose other than that for which it has been loaned.



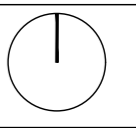
Polycarbonate Roof
Width 760 mm Thick 1.2 mm Ridge Height 24 mm

Aluzinc Roof Sheet
Width 760 mm Thick 0.40 mm 5 Ridge Height 24 mm
+4mm Isolation
Color: Grey

Ridge Cap
Thick 0.80 mm

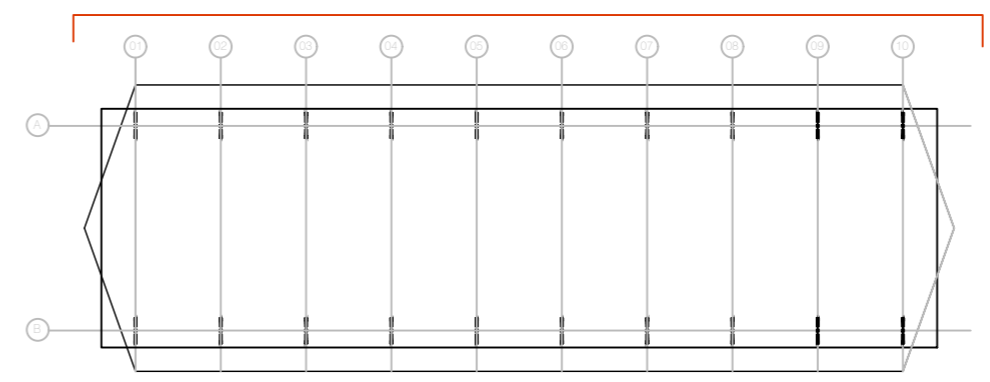
NOTES:

1. All dimensions are in meters unless otherwise specified.
2. Drawings are not to be scaled.
3. In case of any discrepancy in dimensioning same has to be brought to the notice of the architect.
4. The drawing should not be measured, follow written dimensions only.
5. All levels are from unfinished floor level.

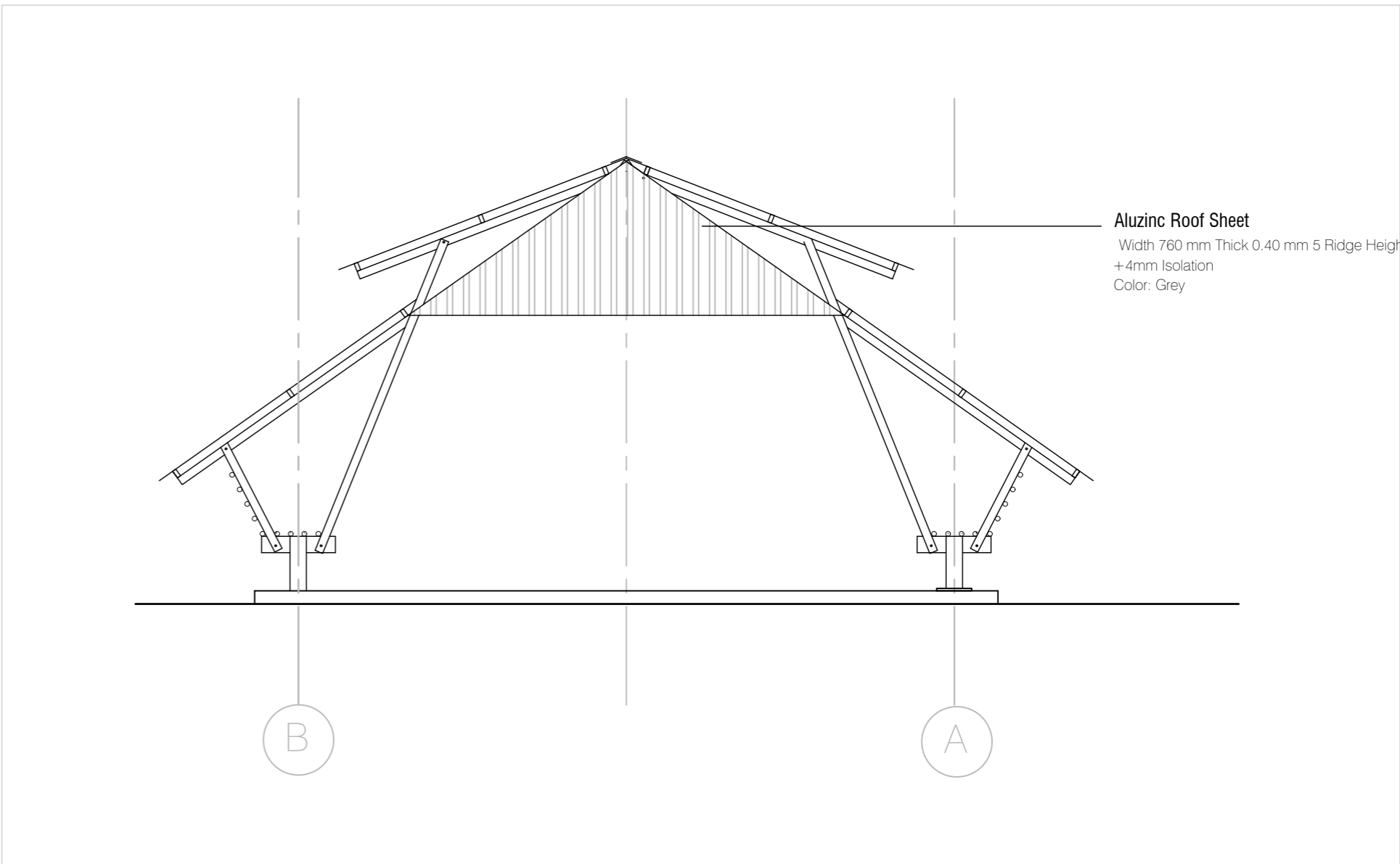
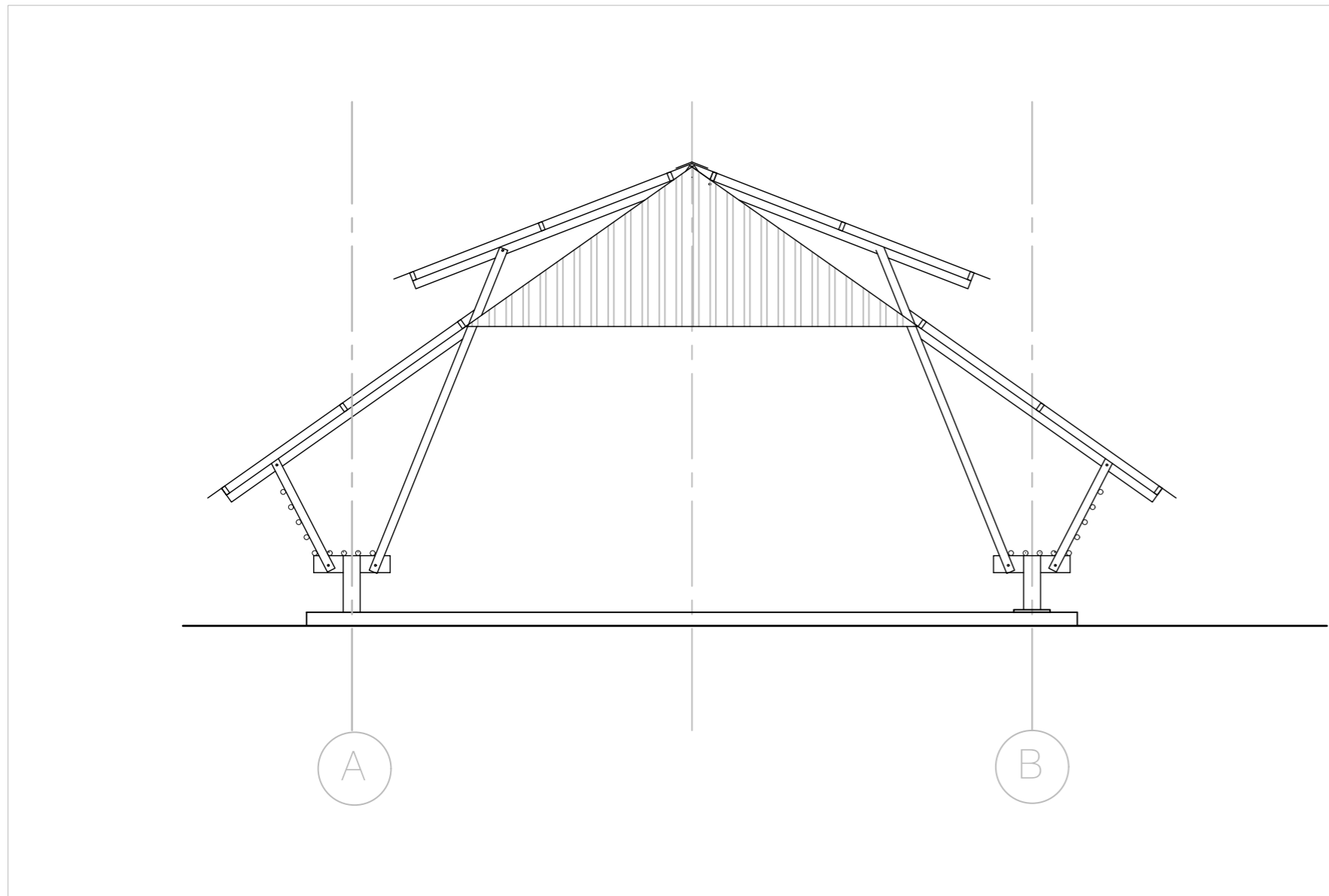


WORKING DRAWINGS

Sheet Title	ELEVATION 18	
Drawing no.	EL_01_00	Rev. no.
Scale	1:50	
Project no.	KECDTPA_2022/06	
Drawn by	Juan Cuevas Durán	
Checked by		



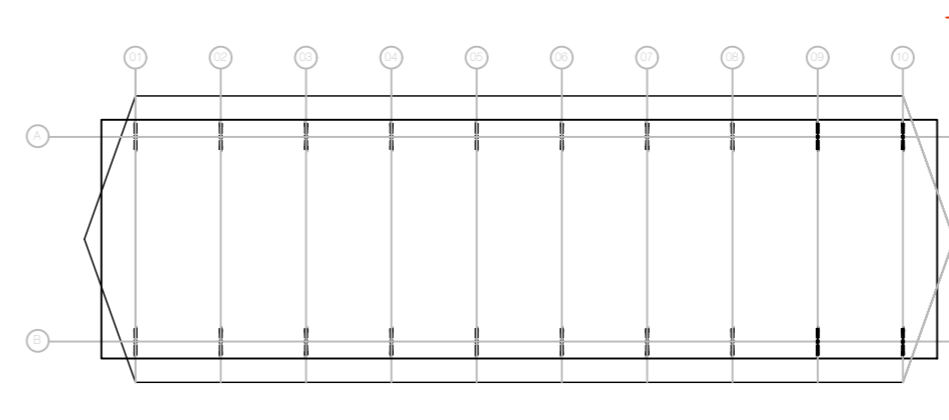
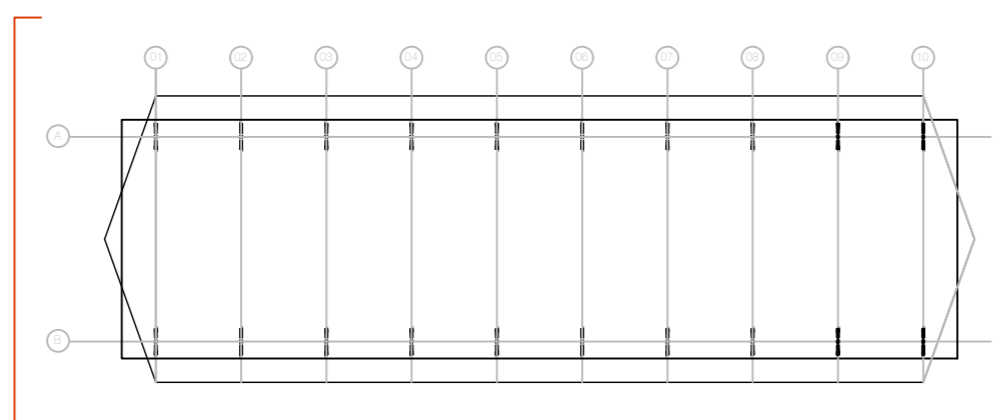
This drawing is copyright.
It is property of KECD and is not to be reproduced, copied or handed over to a third party or used for any purpose other than that for which it has been loaned.



ESTUDIO CAVERNAS
 Amphoe Mae Sot,
 Tak, Thailand

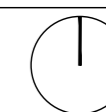
www.estudiocavernas.com
 info@estudiocavernas.org

This drawing is copyright.
 It is property of KECD and is not to be reproduced,
 copied or handed over to a third party or used for
 any purpose other than that for which it has been
 loaned.



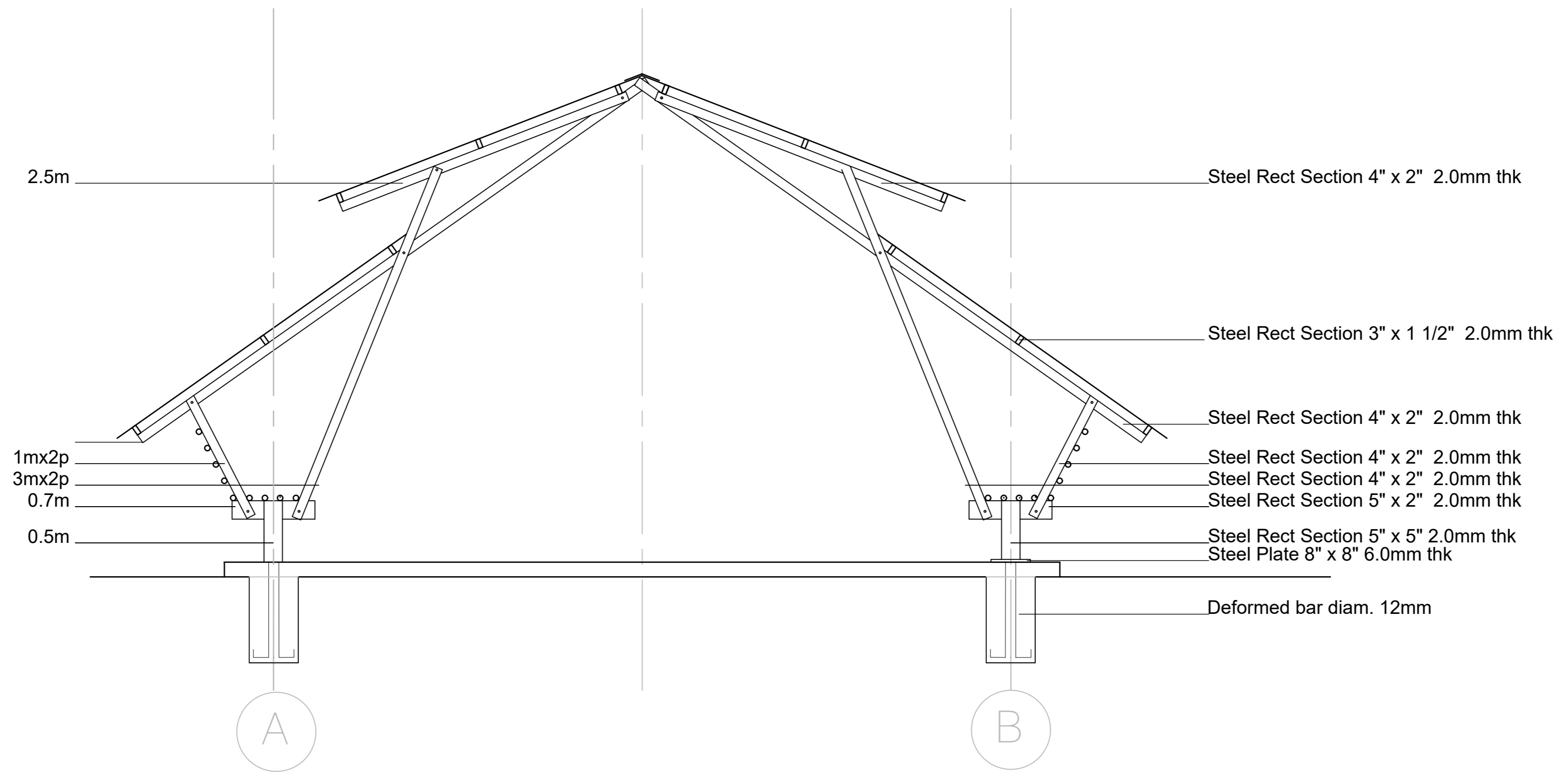
NOTES:

1. All dimensions are in meters unless otherwise specified.
2. Drawings are not to be scaled.
3. In case of any discrepancy in dimensioning same has to be brought to the notice of the architect.
4. The drawing should not be measured, follow written dimensions only.
5. All levels are from unfinished floor level.



WORKING DRAWINGS

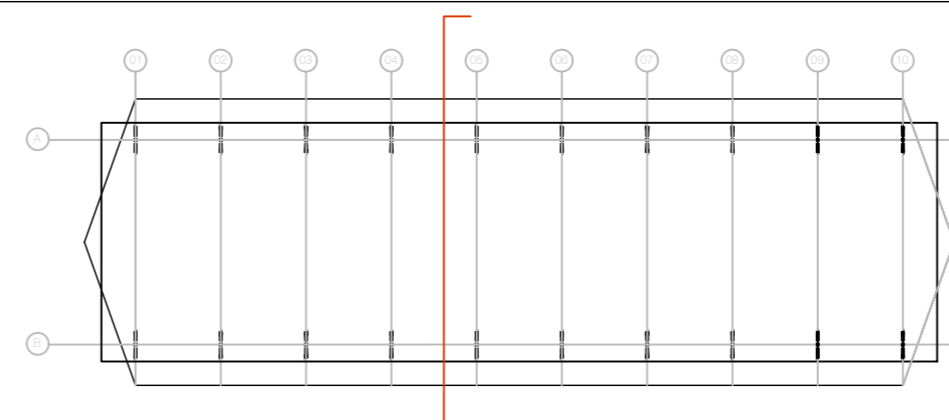
Sheet Title	ELEVATION AB, ELEVATION BA	
Drawing no.	EL_03_00	Rev. no.
Scale	1:50	
Project no.	KECDTP_2022/06	
Drawn by	Juan Cuevas Durán	
Checked by		



ESTUDIO CAVERNAS
Amphoe Mae Sot,
Tak, Thailand

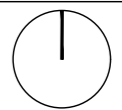
www.estudiocavernas.com
info@estudiocavernas.org

This drawing is copyright.
It is property of KECD and is not to be reproduced,
copied or handed over to a third party or used for
any purpose other than that for which it has been
loaned.



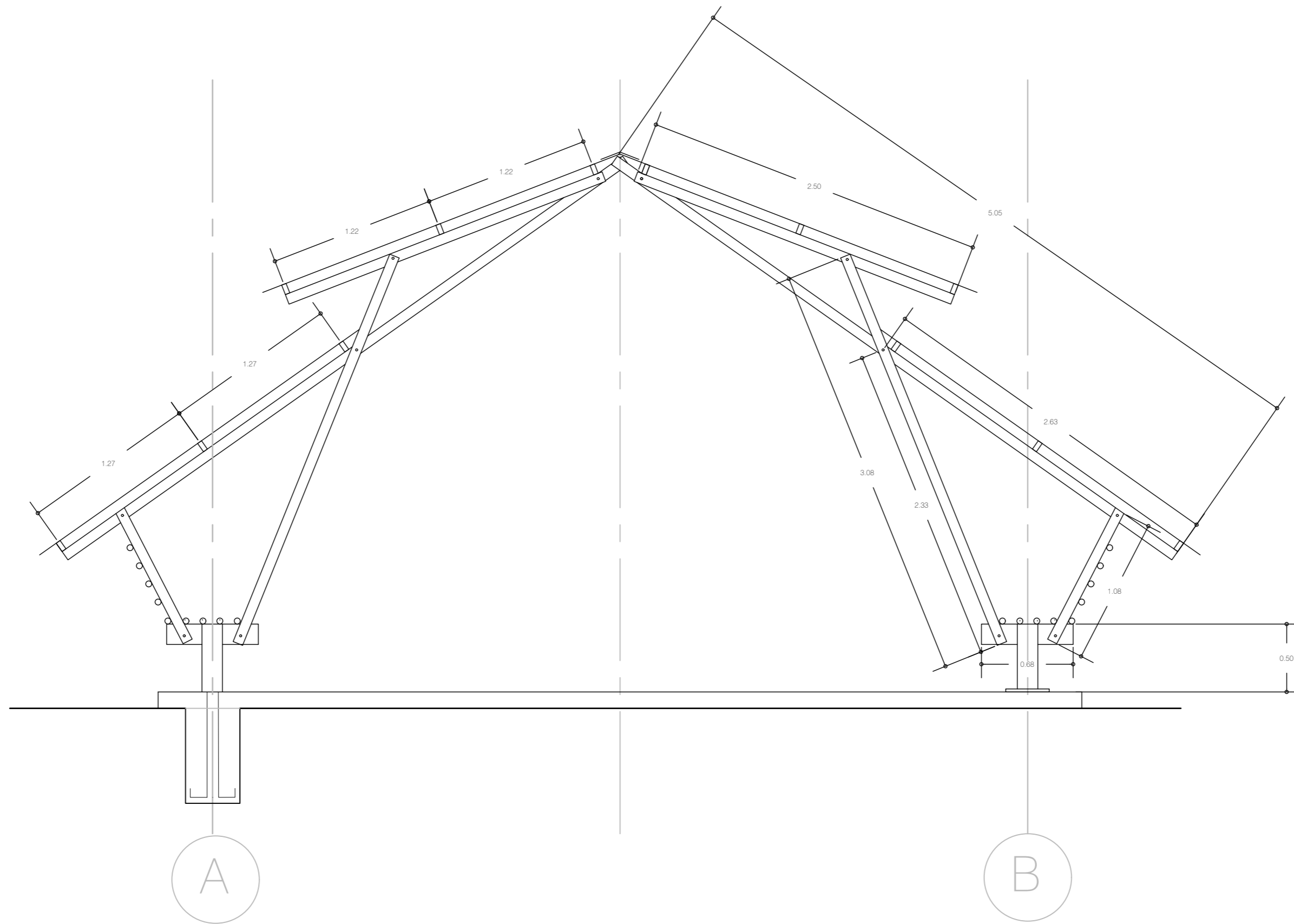
NOTES:

1. All dimensions are in meters unless otherwise specified.
2. Drawings are not to be scaled.
3. In case of any discrepancy in dimensioning same has to be brought to the notice of the architect.
4. The drawing should not be measured, follow written dimensions only.
5. All levels are from unfinished floor level.



WORKING DRAWINGS

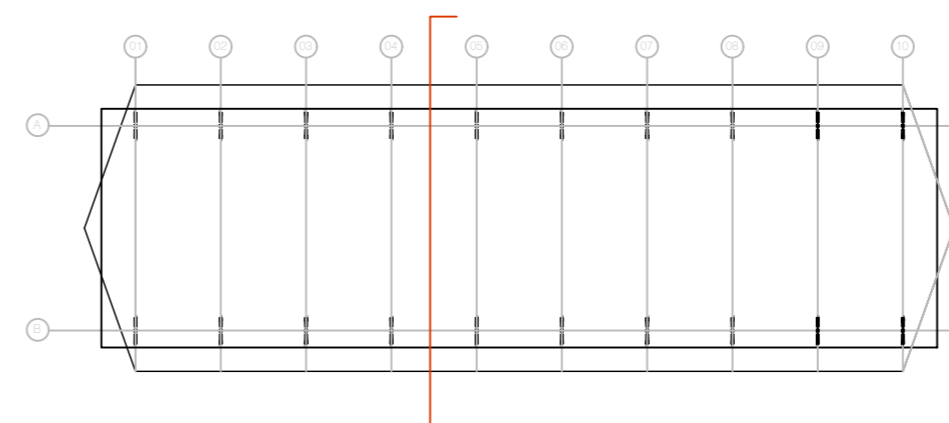
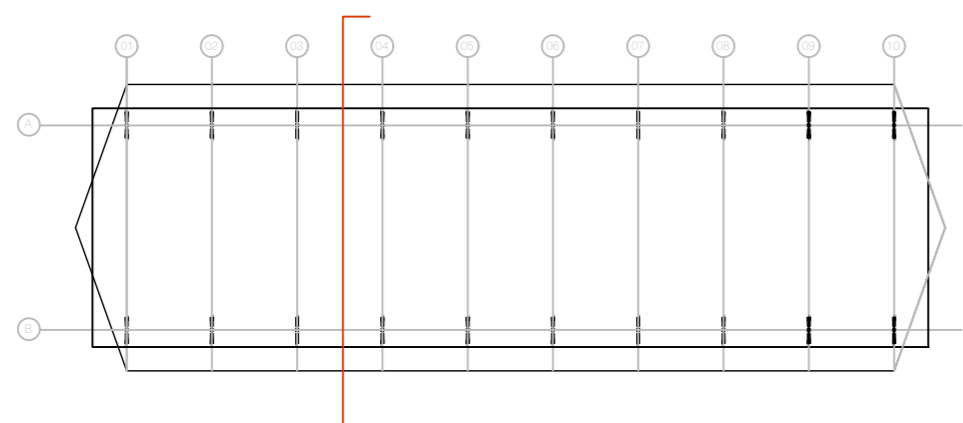
Sheet Title	SCHEDULE 1:SECTION DETAILS	
Drawing no.	SC_01_00	Rev. no.
Scale	1:30	
Project no.	KECDTPA_2022/06	
Drawn by	Juan Cuevas Durán	
Checked by		



ESTUDIO CAVERNAS
 Amphoe Mae Sot,
 Tak, Thailand

www.estudiocavernas.com
 info@estudiocavernas.org

This drawing is copyright.
 It is property of KECD and is not to be reproduced,
 copied or handed over to a third party or used for
 any purpose other than that for which it has been
 loaned.



NOTES:

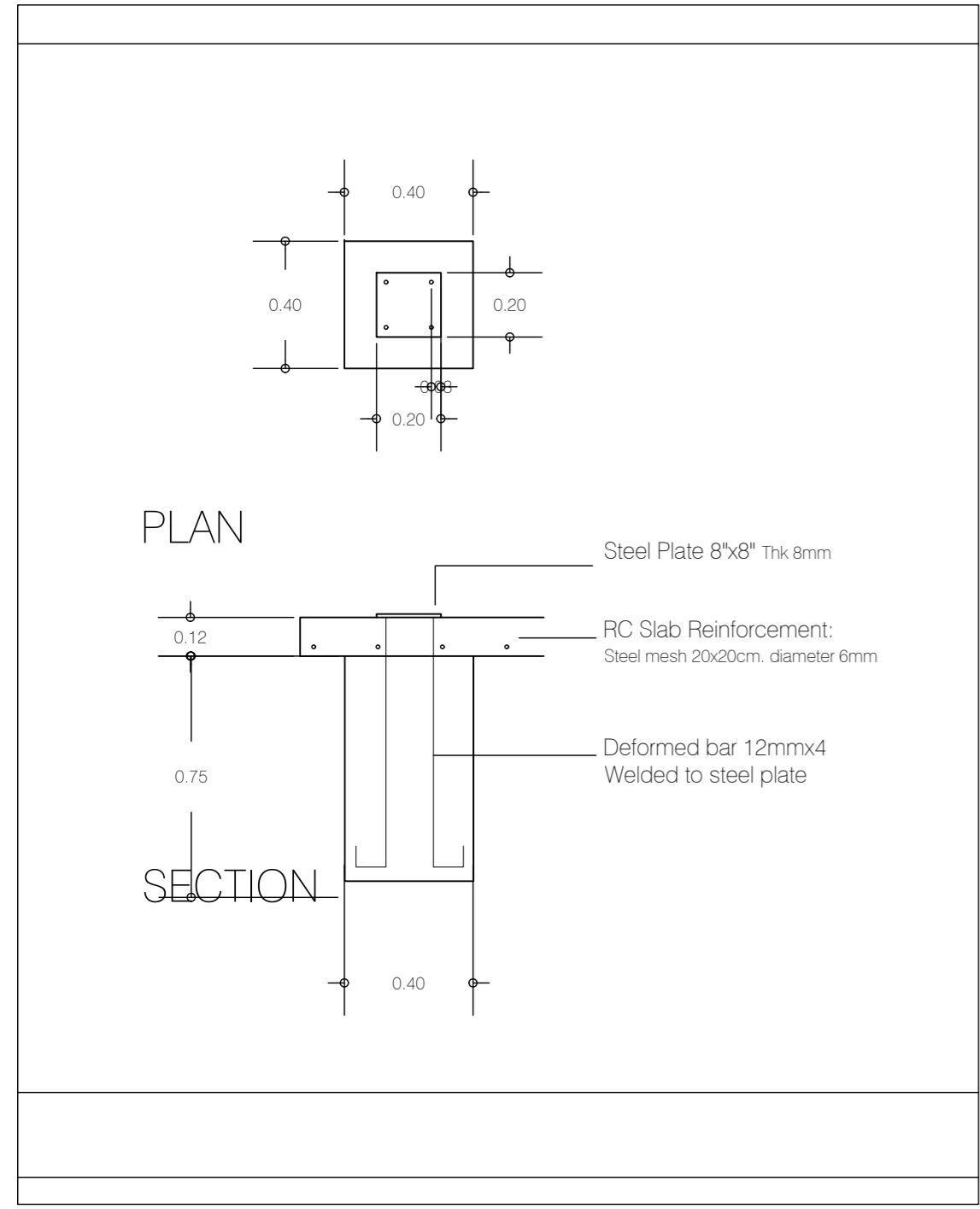
1. All dimensions are in meters unless otherwise specified.
2. Drawings are not to be scaled.
3. In case of any discrepancy in dimensioning same has to be brought to the notice of the architect.
4. The drawing should not be measured, follow written dimensions only.
5. All levels are from unfinished floor level.



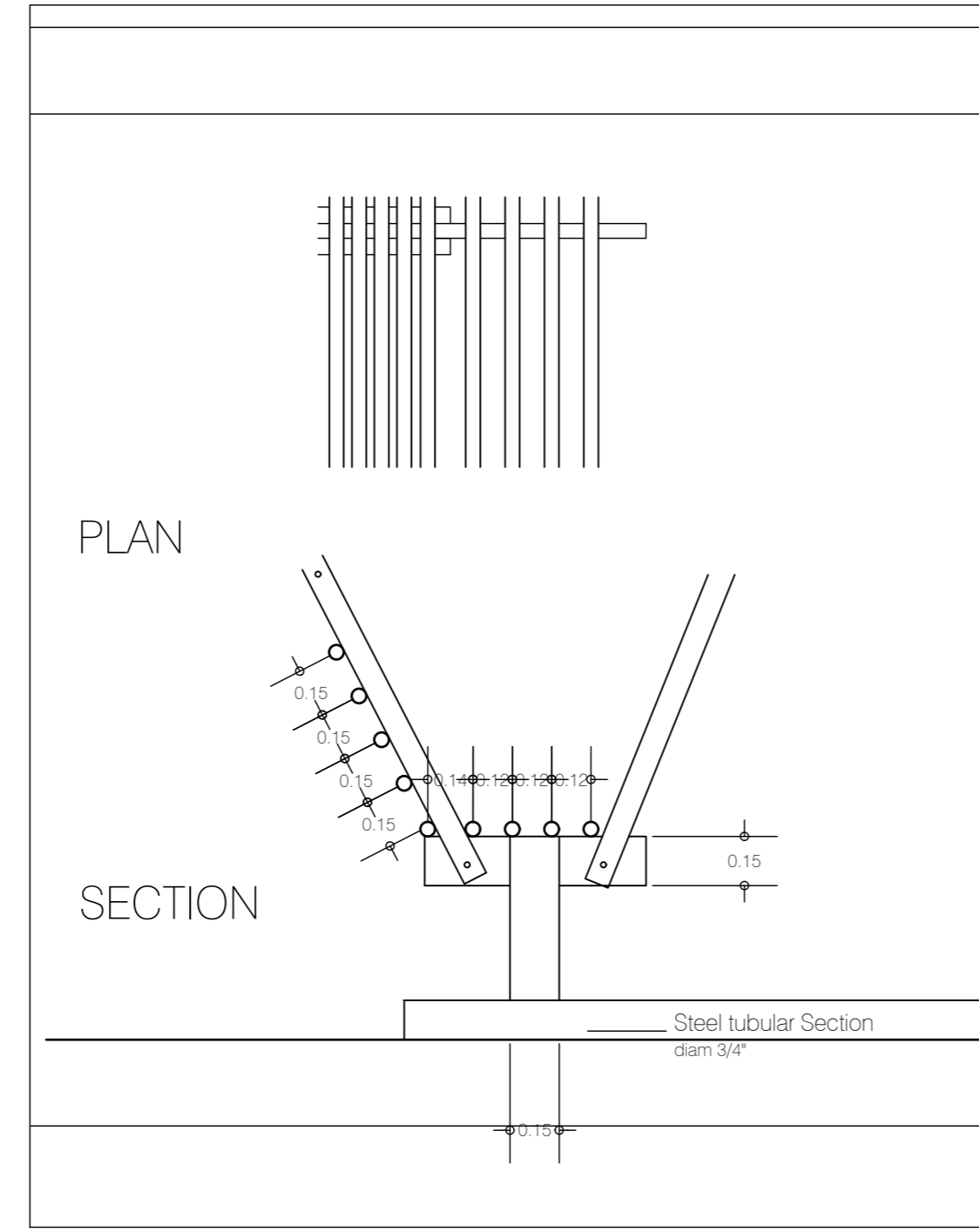
WORKING DRAWINGS

Sheet Title	SCHEDULE 1:SECTION DIMEN.	
Drawing no.	SC_02_00	Rev. no.
Scale	1:30	
Project no.	KECDTPA_2022/06	
Drawn by	Juan Cuevas Durán	
Checked by		

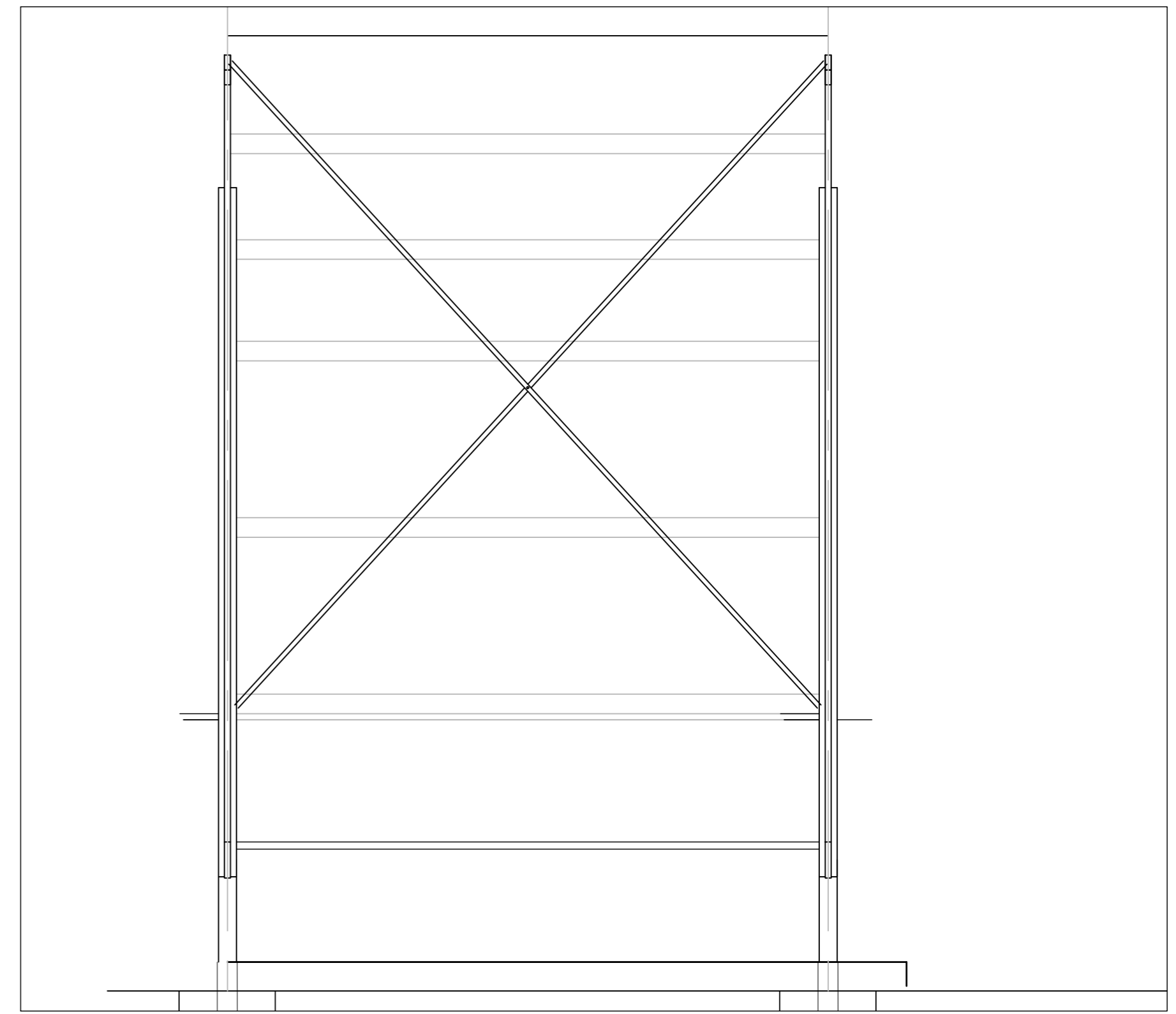
FT1 (see foundation plan)



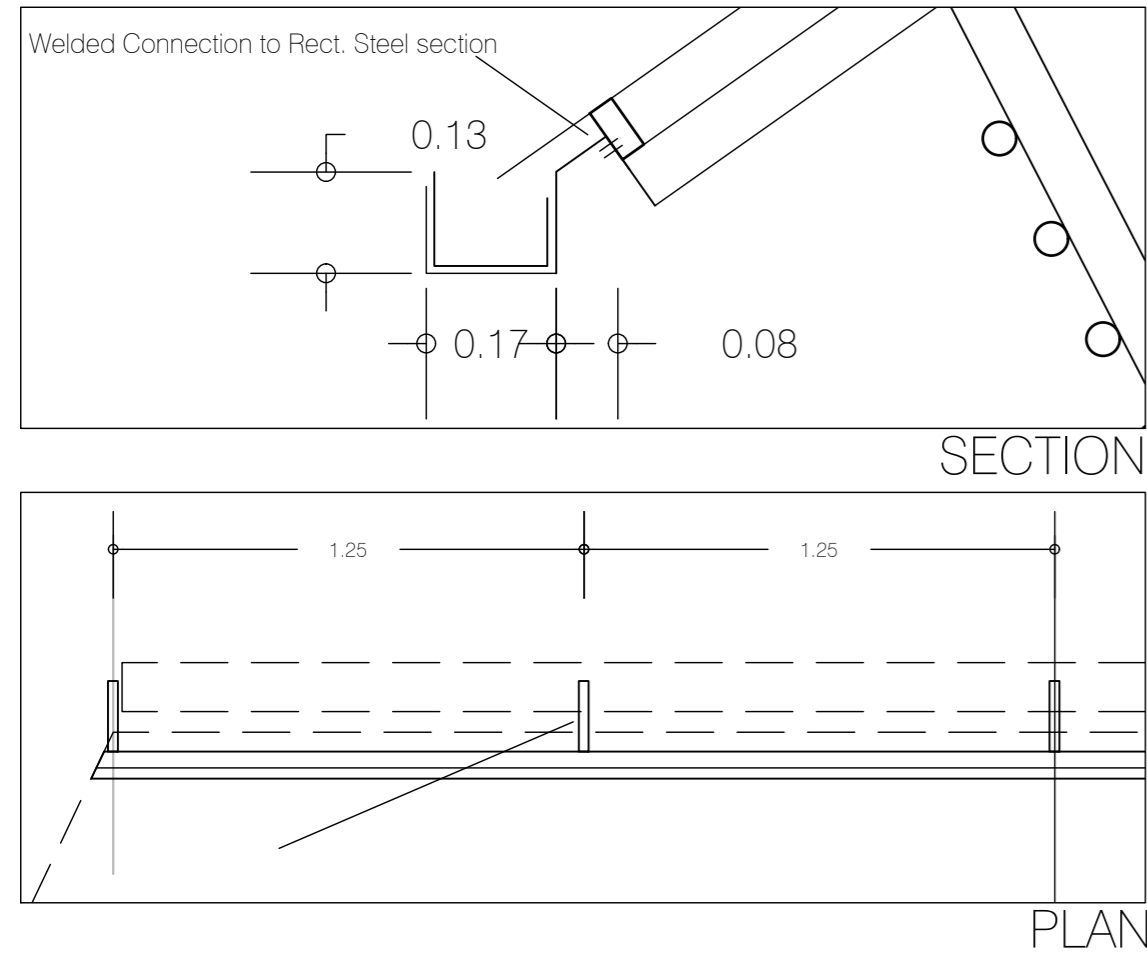
SEATING



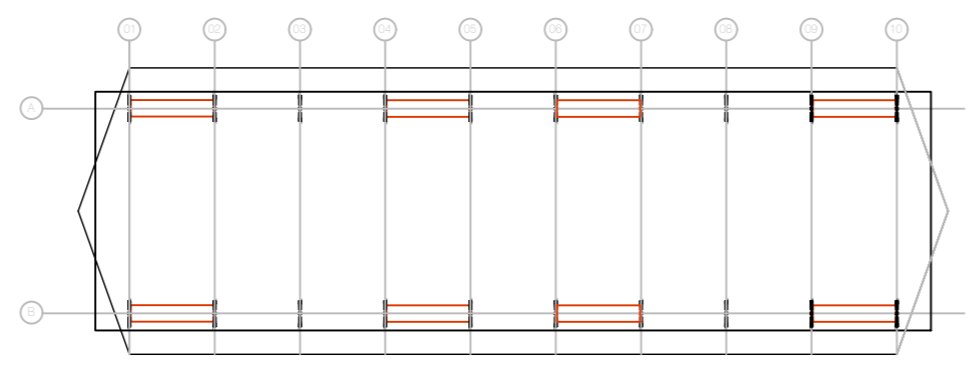
BRACING



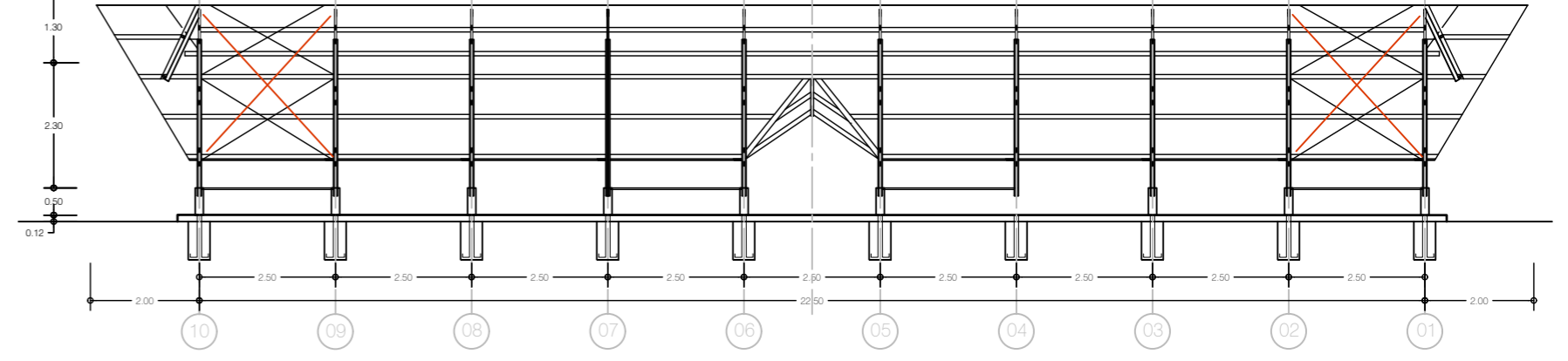
GT01 (see foundation plan)



BENCH LOCATION



BRACING LOCATION

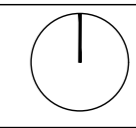


ESTUDIO CAVERNAS
Amphoe Mae Sot,
Tak, Thailand

www.estudiocavernas.com
info@estudiocavernas.org

This drawing is copyright.
It is property of KECD and is not to be reproduced,
copied or handed over to a third party or used for
any purpose other than that for which it has been
loaned.

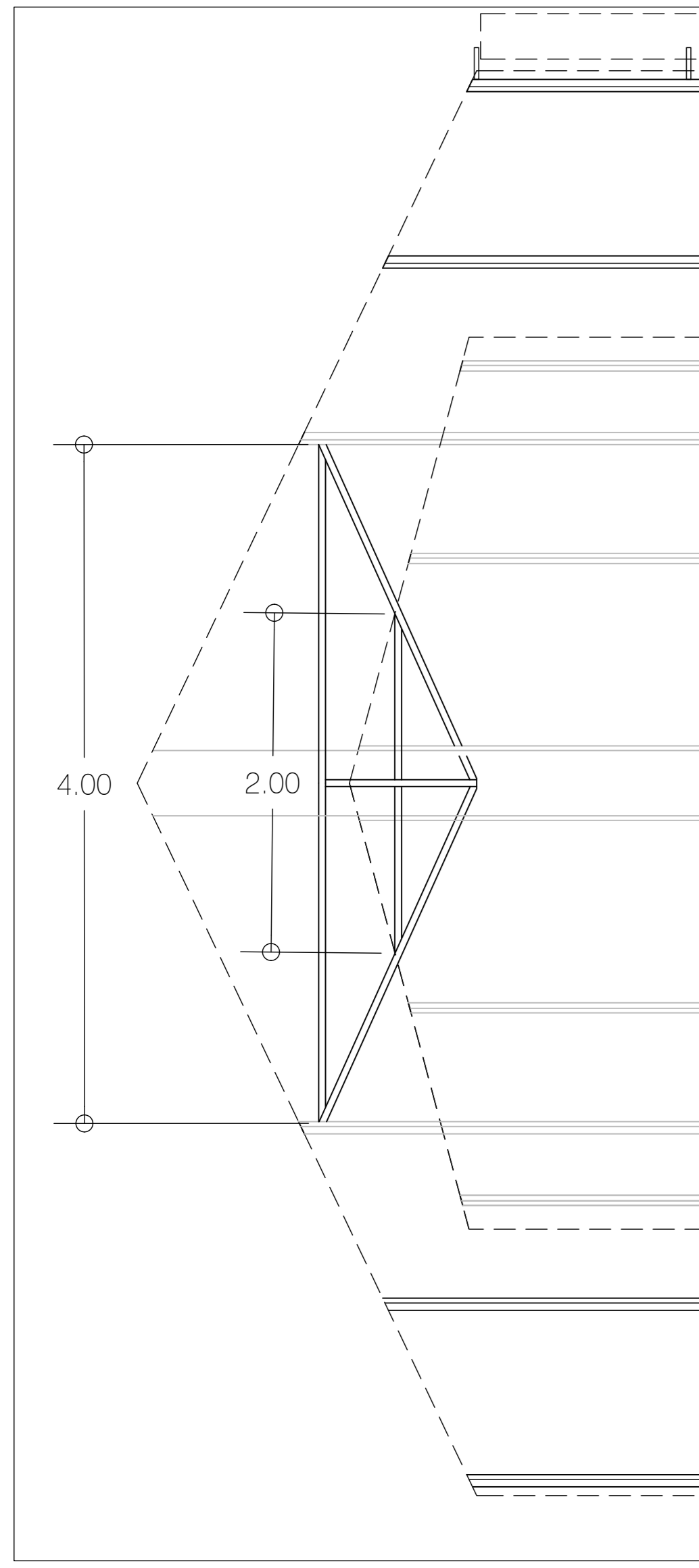
- NOTES:**
1. All dimensions are in meters unless otherwise specified.
 2. Drawings are not to be scaled.
 3. In case of any discrepancy in dimensioning same has to be brought to the notice of the architect.
 4. The drawing should not be measured, follow written dimensions only.
 5. All levels are from unfinished floor level.



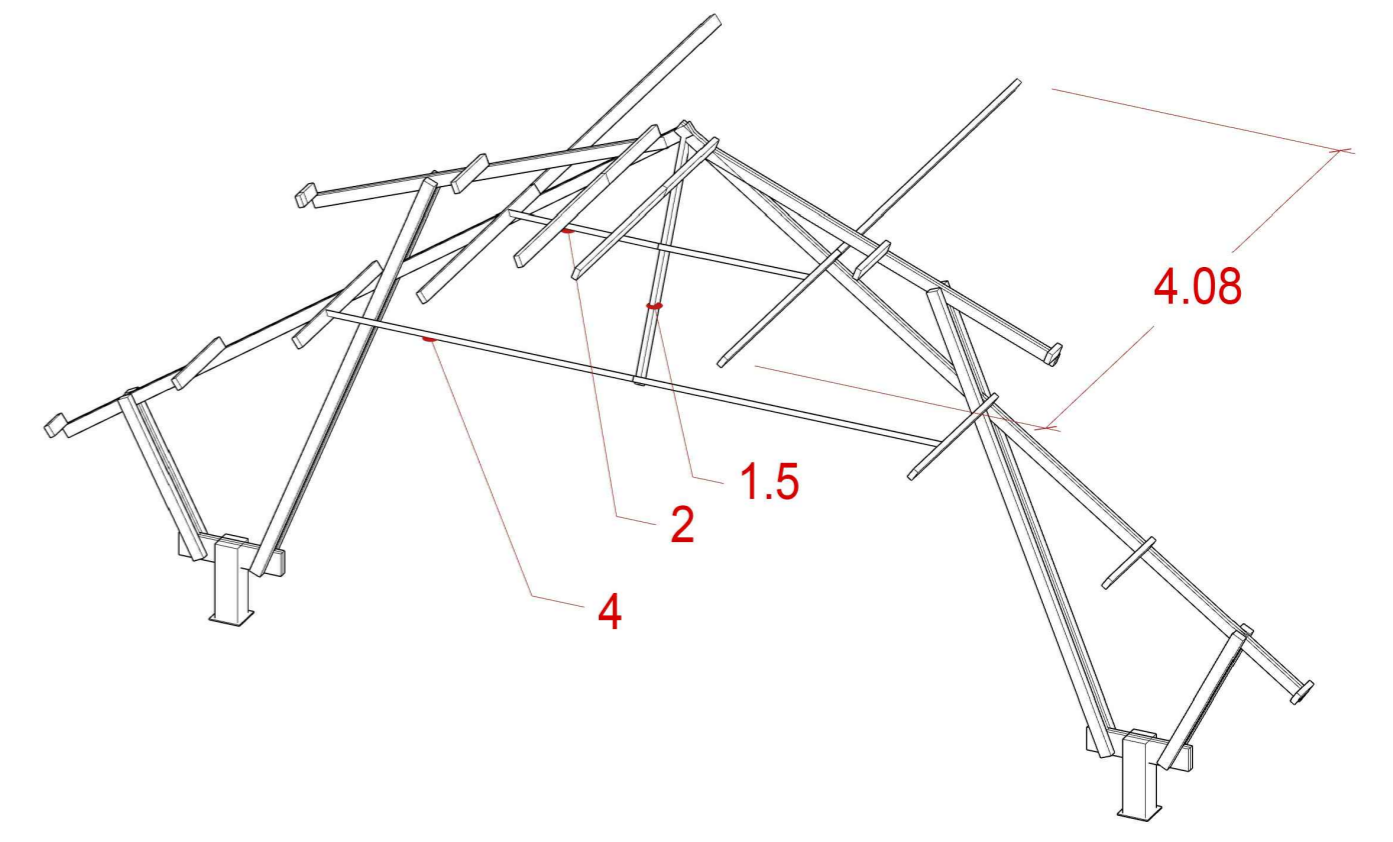
WORKING DRAWINGS

Sheet Title	SCHEDULE 2: DETAILS	
Drawing no.	SC_03_00	Rev. no.
Scale	1:20	
Project no.	KECDTPA_2022/06	
Drawn by	Juan Cuevas Durán	
Checked by		

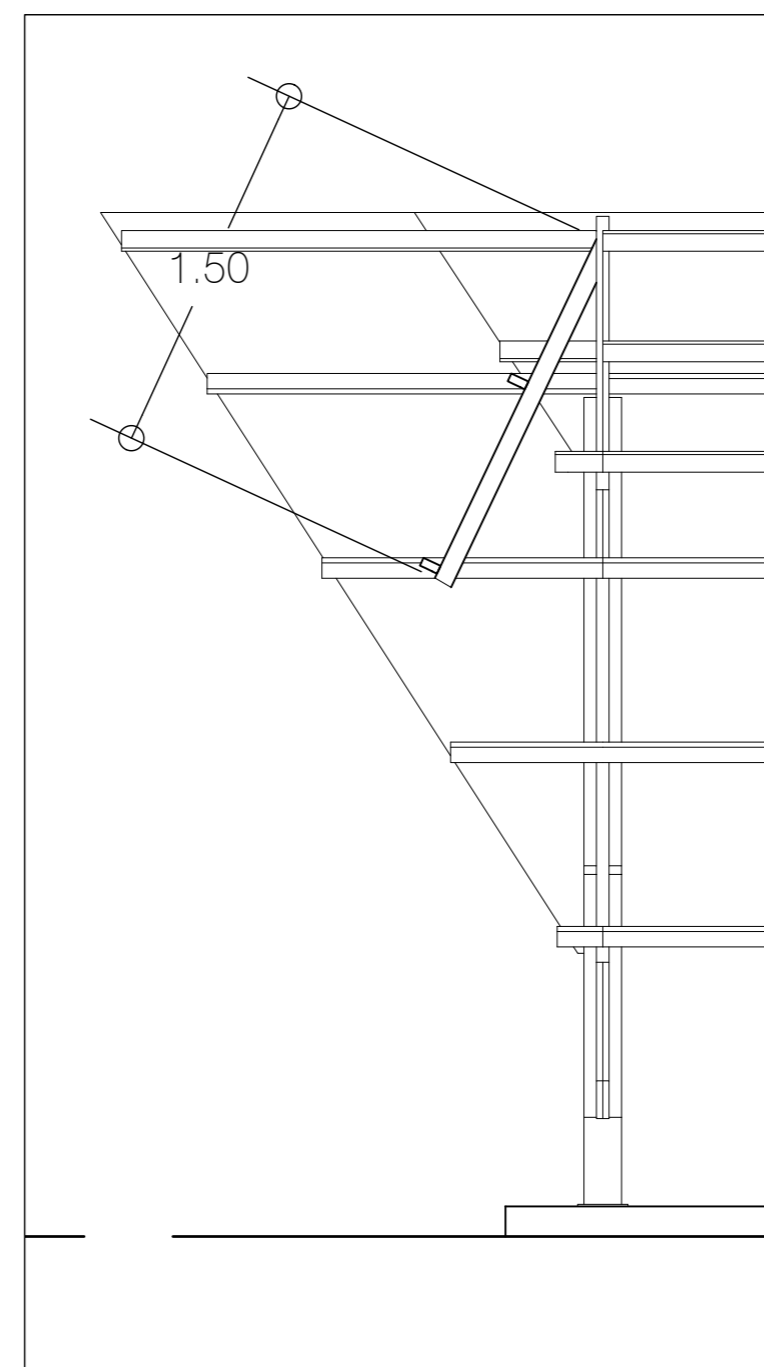
RS1 (see roof structure plan)



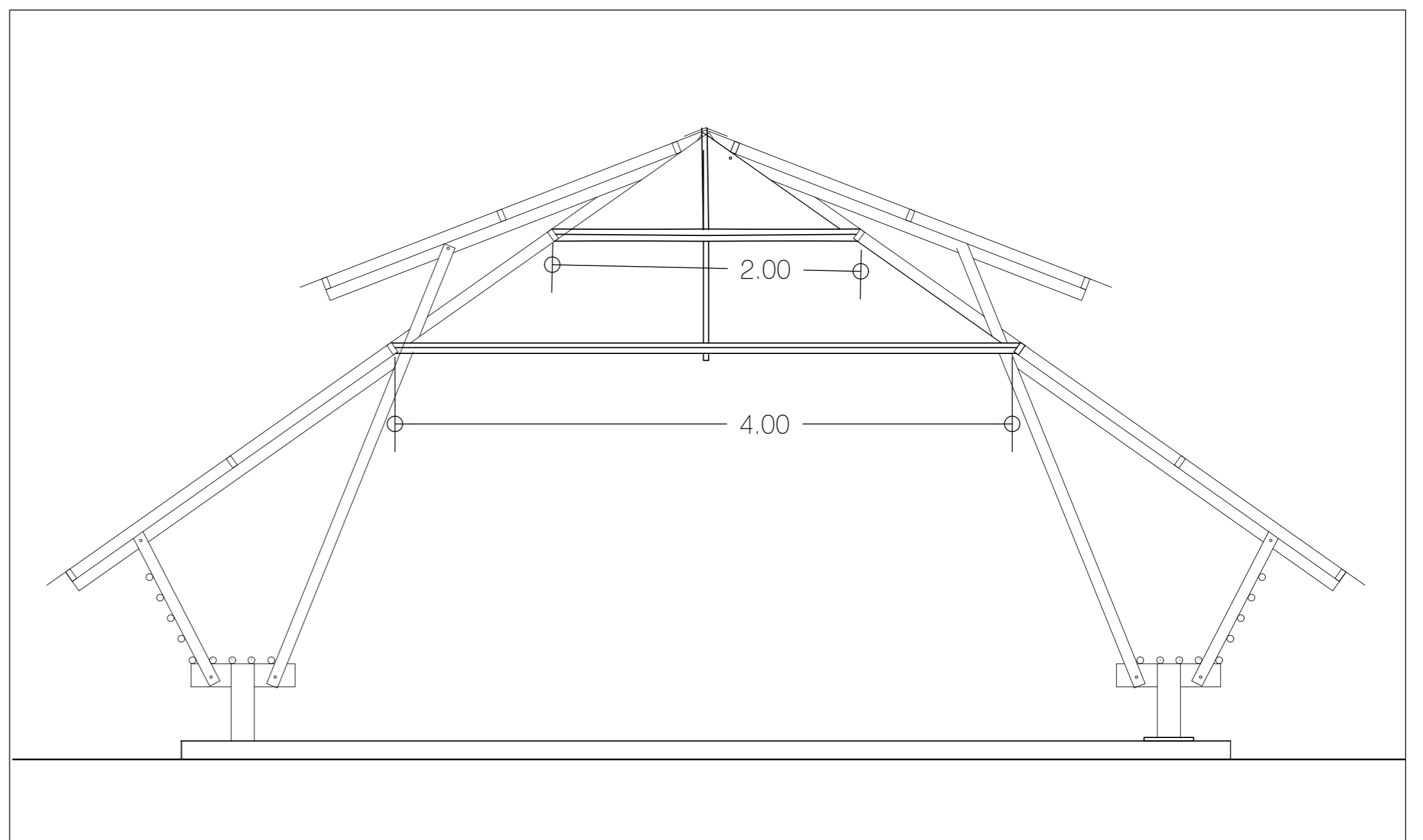
FLOORPLAN



AXONOMETRIC



SECTION

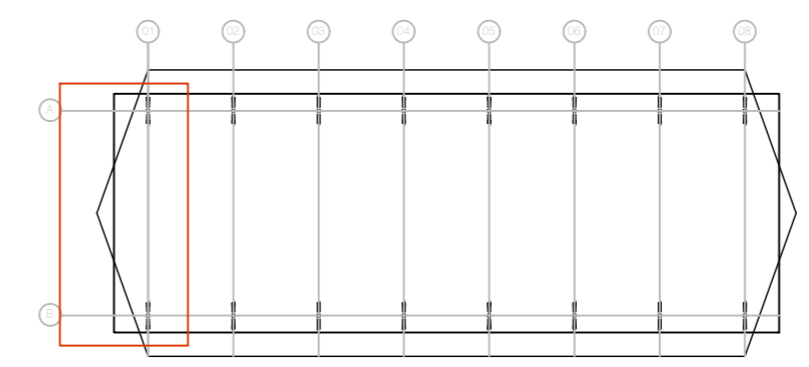


SECTION

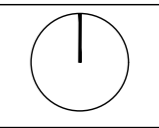
ESTUDIO CAVERNAS
Amphoe Mae Sot,
Tak, Thailand

www.estudiocavernas.com
info@estudiocavernas.org

This drawing is copyright.
It is property of KECD and is not to be reproduced,
copied or handed over to a third party or used for
any purpose other than that for which it has been
loaned.



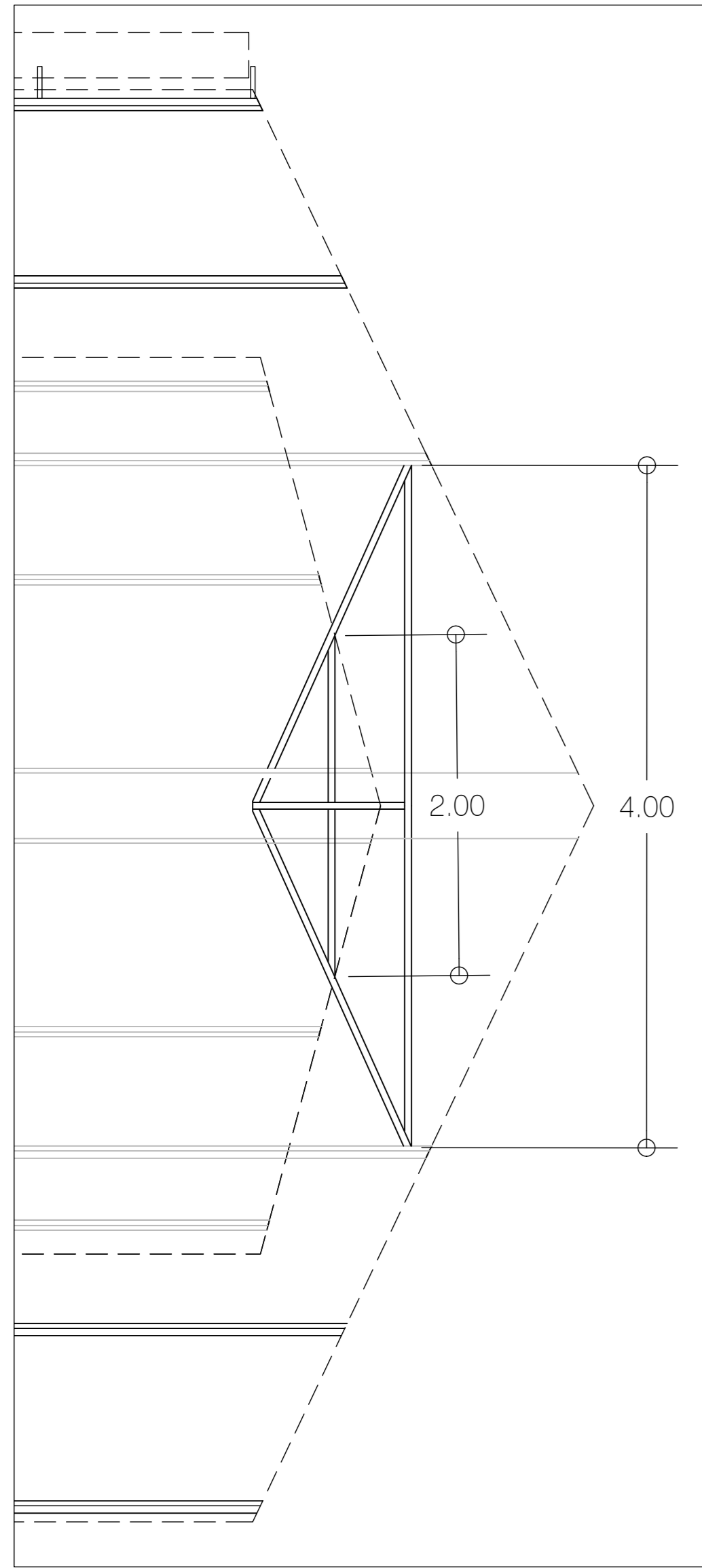
- NOTES:
1. All dimensions are in meters unless otherwise specified.
 2. Drawings are not to be scaled.
 3. In case of any discrepancy in dimensioning same has to be brought to the notice of the architect.
 4. The drawing should not be measured, follow written dimensions only.
 5. All levels are from unfinished floor level.



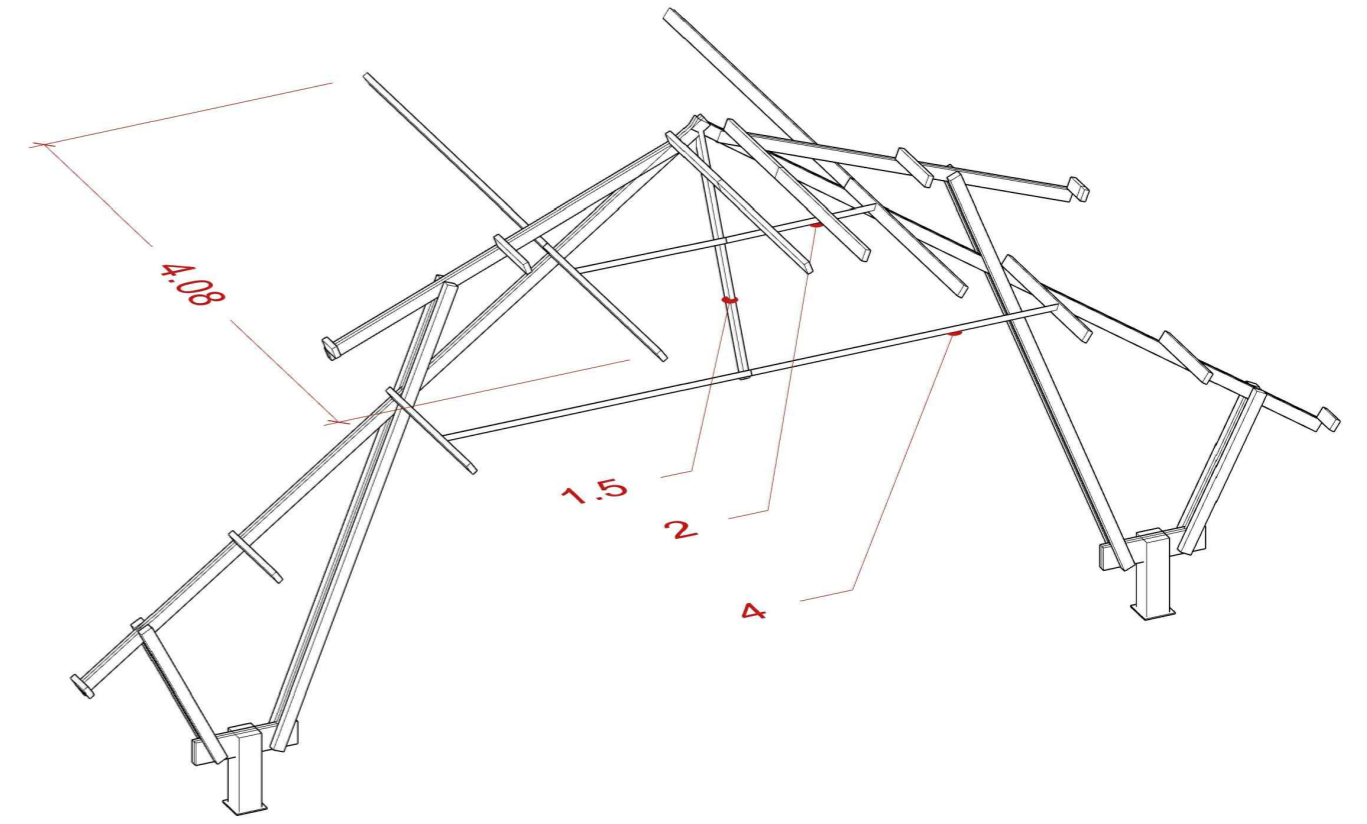
WORKING DRAWINGS

Sheet Title	SCHEDULE 4. DETAILS	
Drawing no.	SC_04_00	Rev. no.
Scale	1:30	
Project no.	KECDTPA_2022/06	
Drawn by	Juan Cuevas Durán	
Checked by		

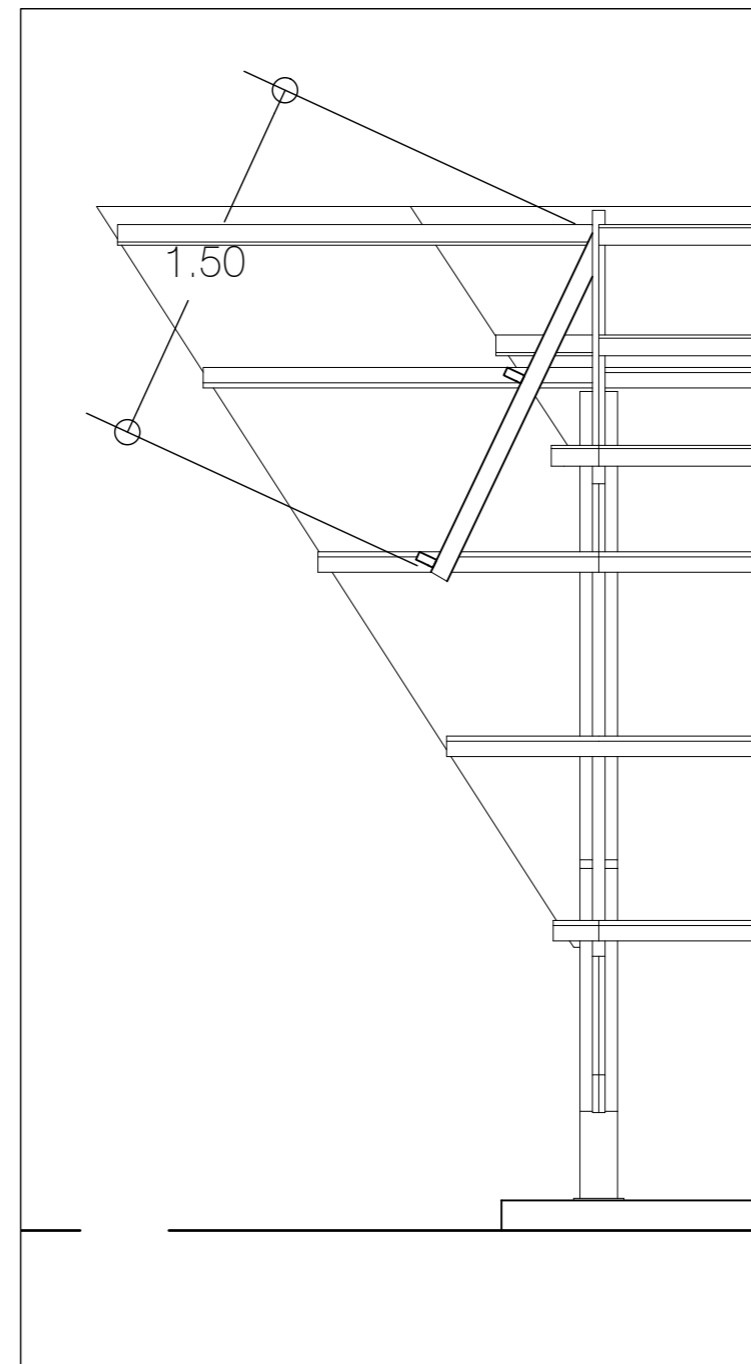
RS2 (see roof structure plan)



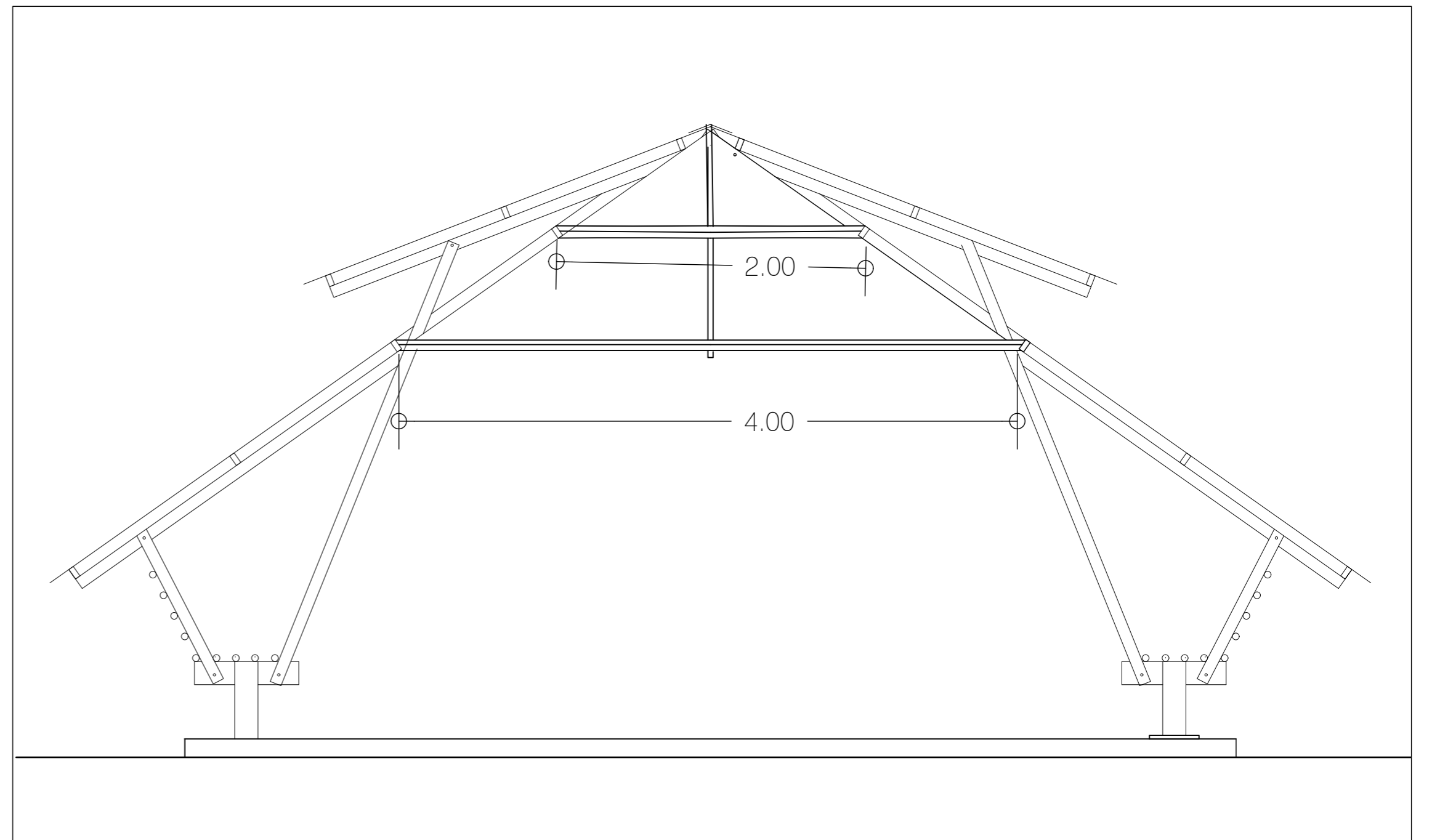
FLOORPLAN



AXONOMETRIC



SECTION

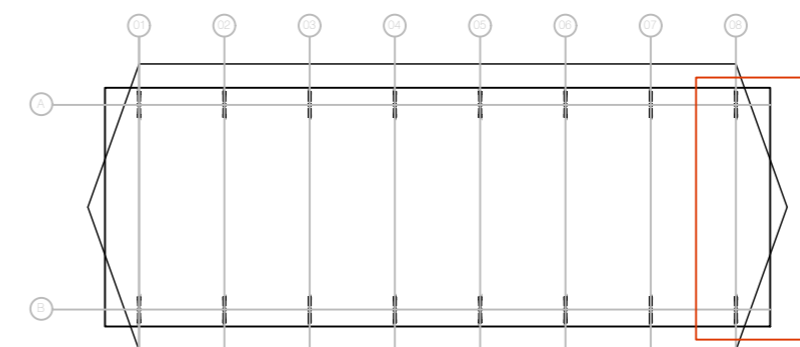


SECTION

ESTUDIO CAVERNAS
Amphoe Mae Sot,
Tak, Thailand

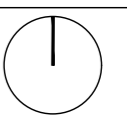
www.estudiocavernas.com
info@estudiocavernas.org

This drawing is copyright.
It is property of KECD and is not to be reproduced,
copied or handed over to a third party or used for
any purpose other than that for which it has been
loaned.



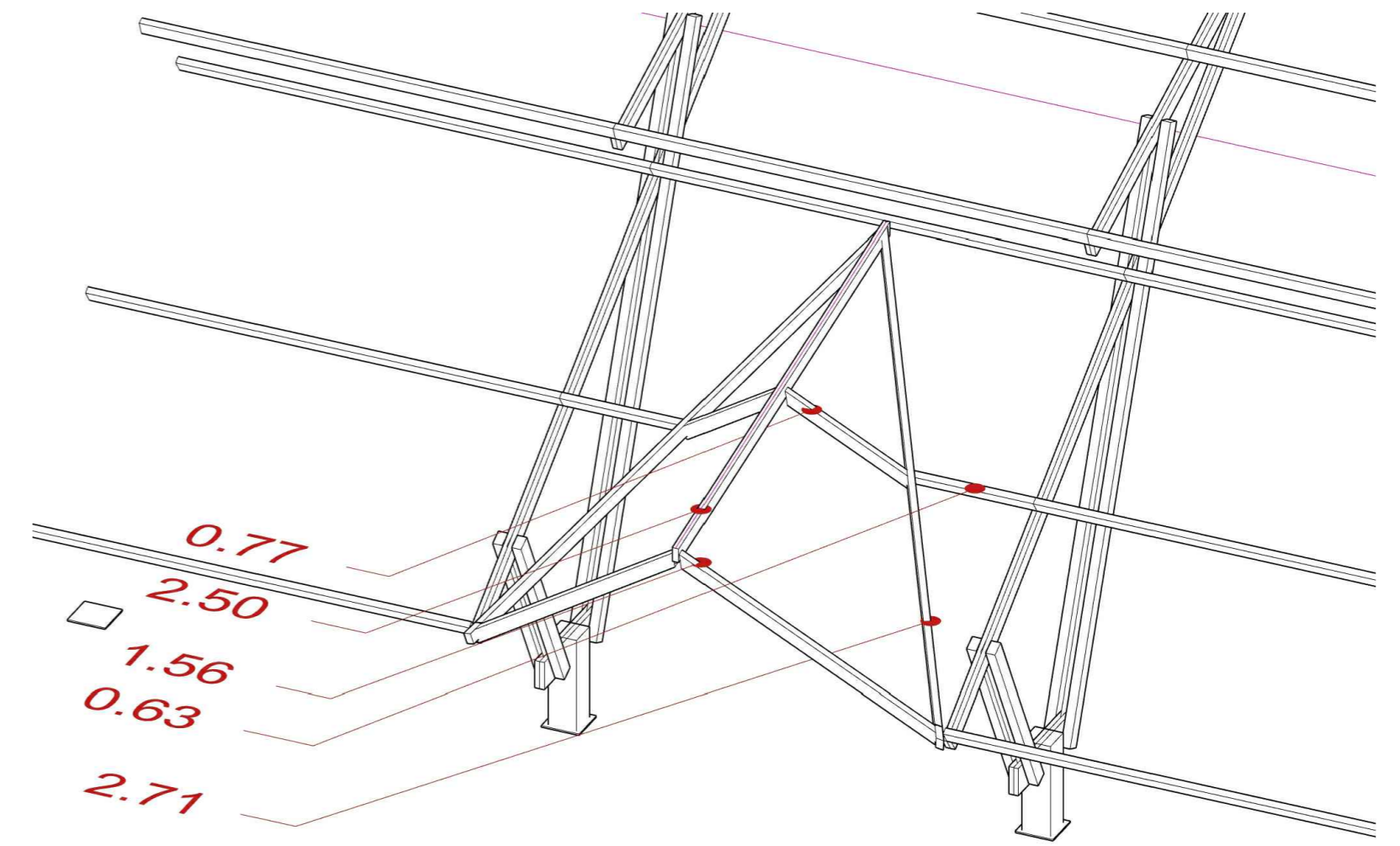
NOTES:

1. All dimensions are in meters unless otherwise specified.
2. Drawings are not to be scaled.
3. In case of any discrepancy in dimensioning same has to be brought to the notice of the architect.
4. The drawing should not be measured, follow written dimensions only.
5. All levels are from unfinished floor level.

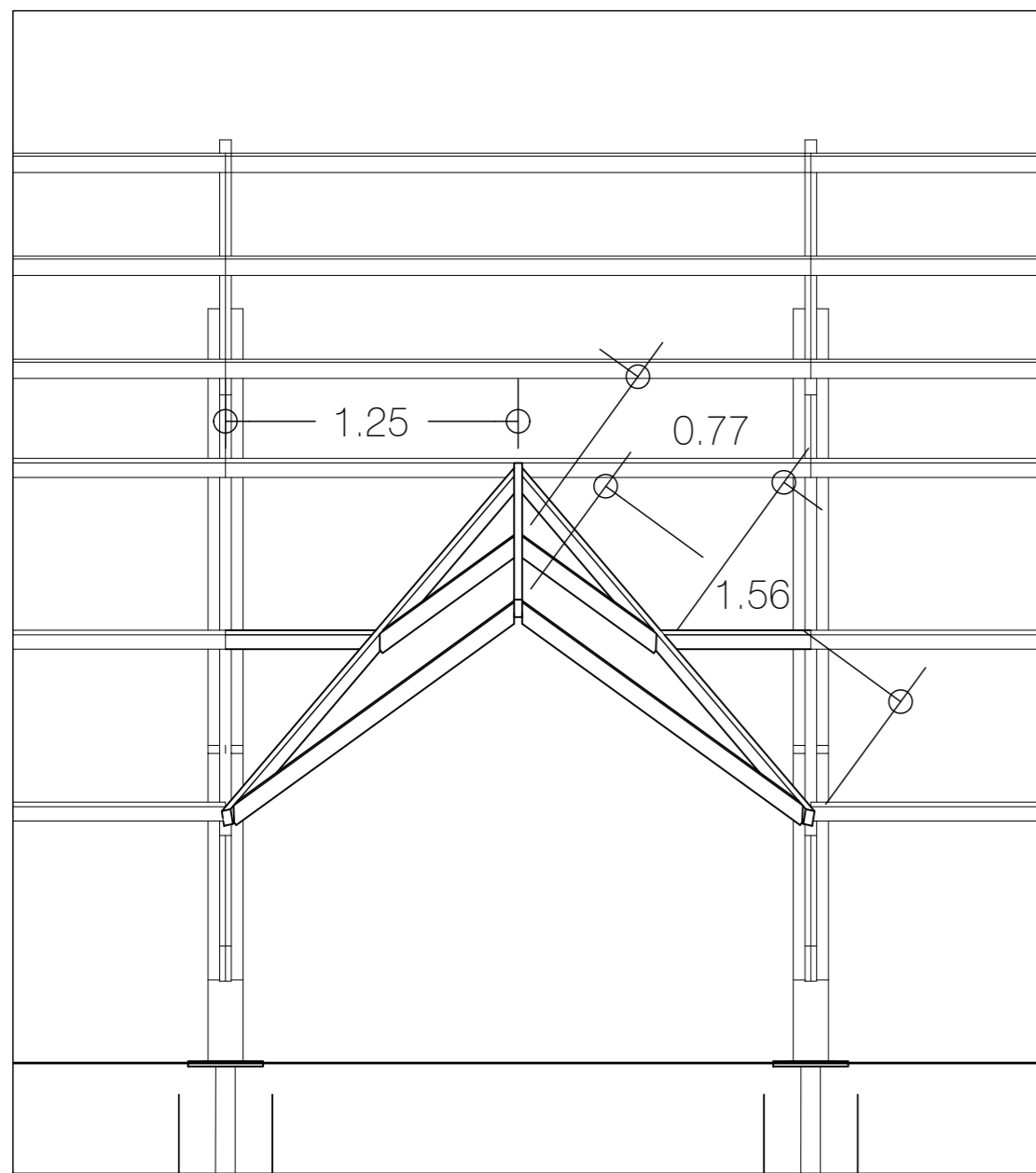


WORKING DRAWINGS

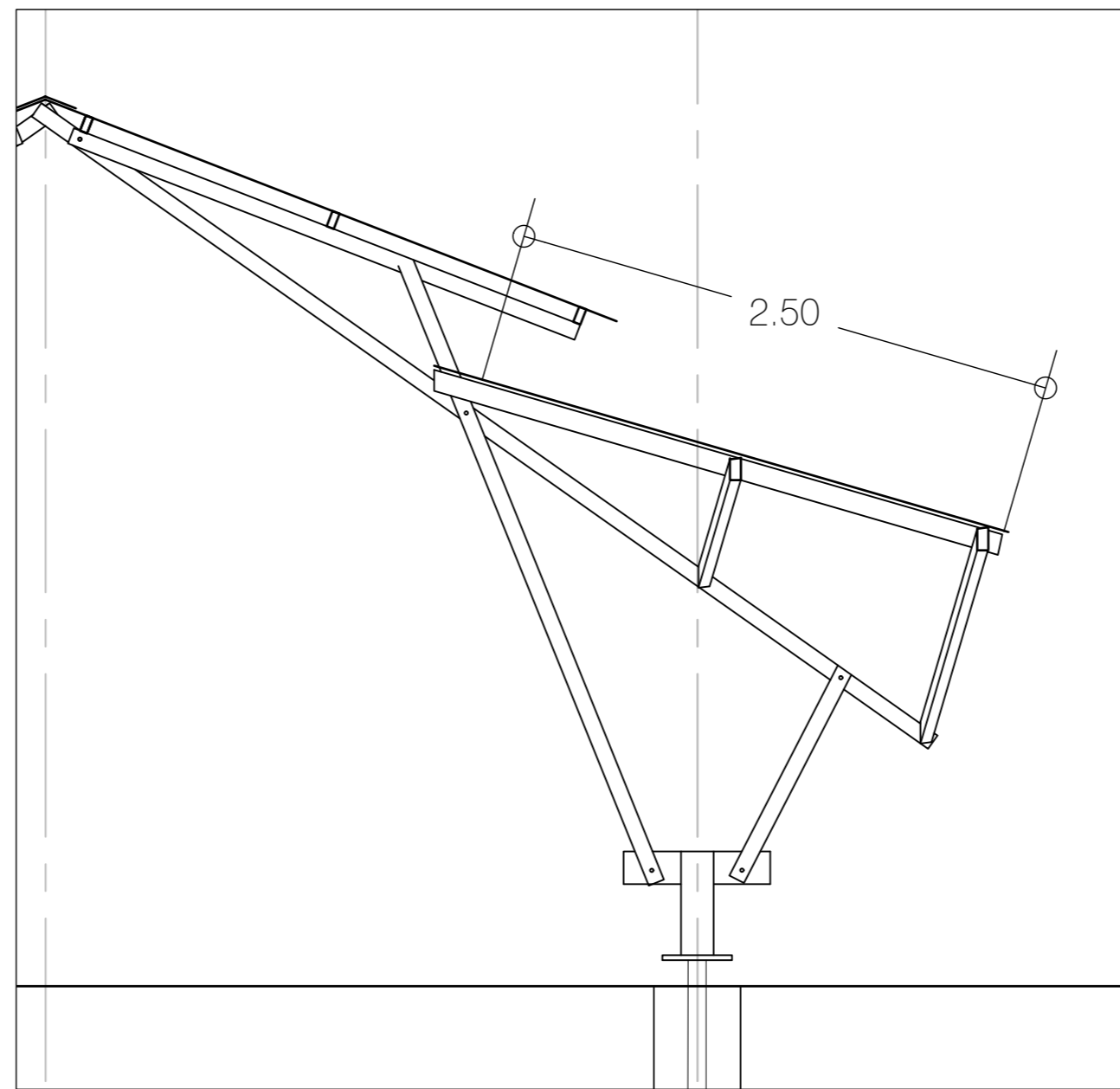
Sheet Title	SCHEDULE 5. DETAILS	
Drawing no.	SC_05_00	Rev. no.
Scale	1:30	
Project no.	KECDTPA_2022/06	
Drawn by	Juan Cuevas Durán	
Checked by		



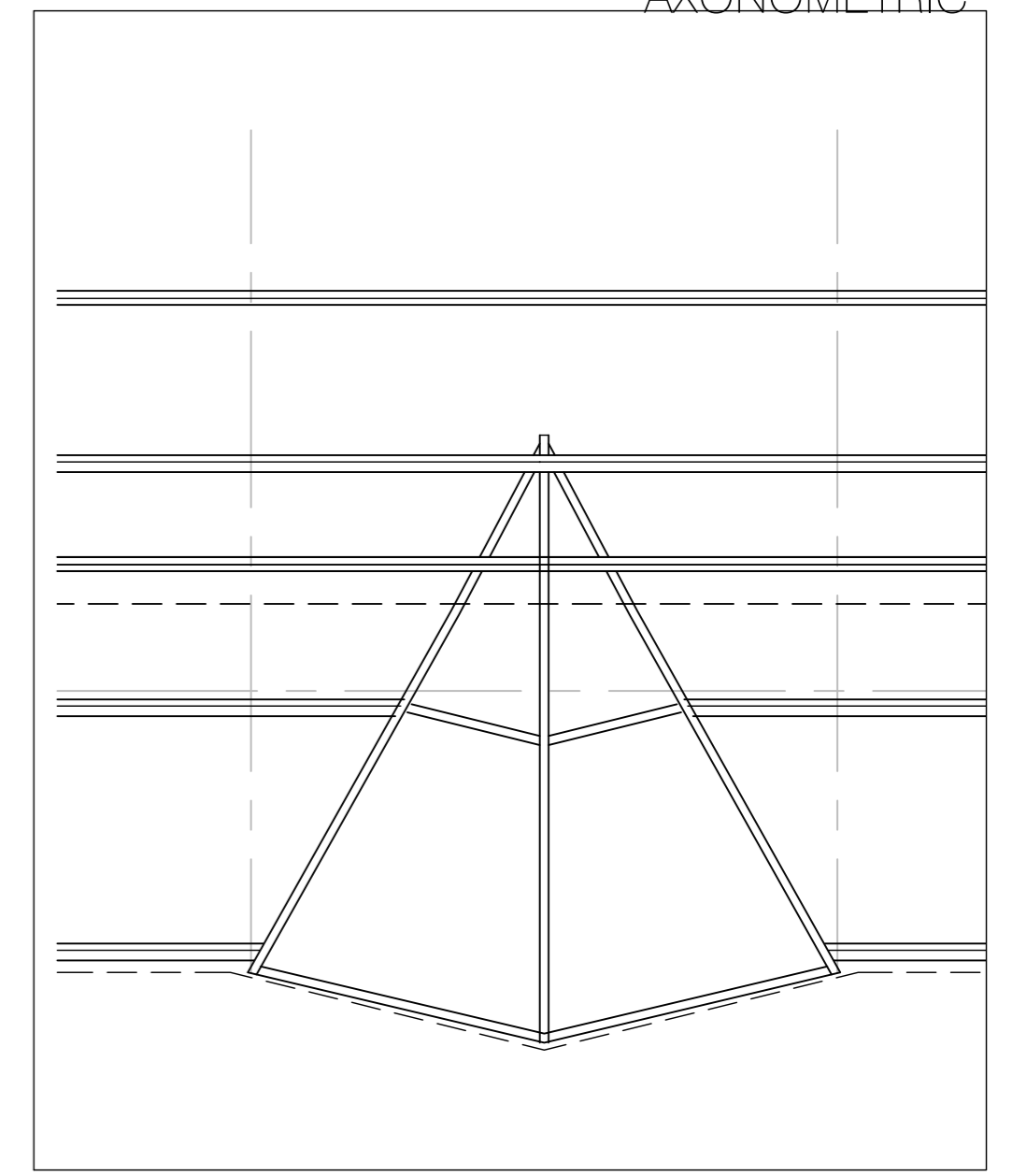
AXONOMETRIC



ELEVATION



SECTION

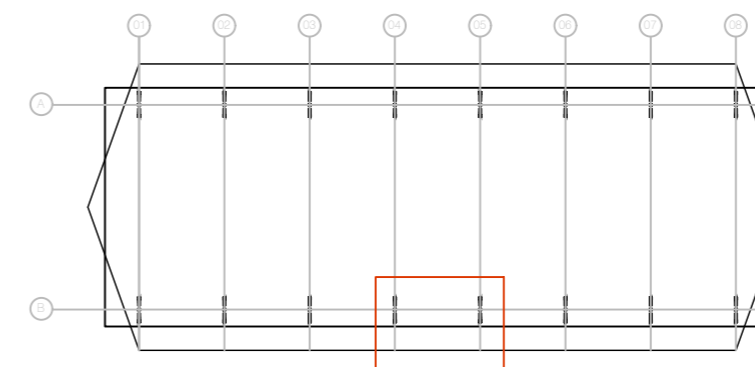


FLOORPLAN

ESTUDIO CAVERNAS
Amphoe Mae Sot,
Tak, Thailand

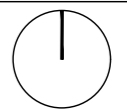
www.estudiocavernas.com
info@estudiocavernas.org

This drawing is copyright.
It is property of KECD and is not to be reproduced,
copied or handed over to a third party or used for
any purpose other than that for which it has been
loaned.



NOTES:

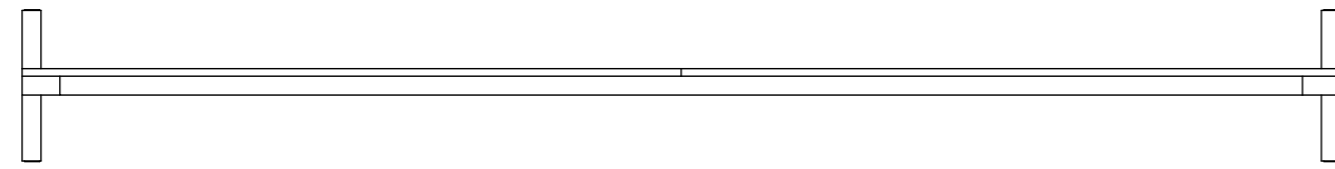
1. All dimensions are in meters unless otherwise specified.
2. Drawings are not to be scaled.
3. In case of any discrepancy in dimensioning same has to be brought to the notice of the architect.
4. The drawing should not be measured, follow written dimensions only.
5. All levels are from unfinished floor level.



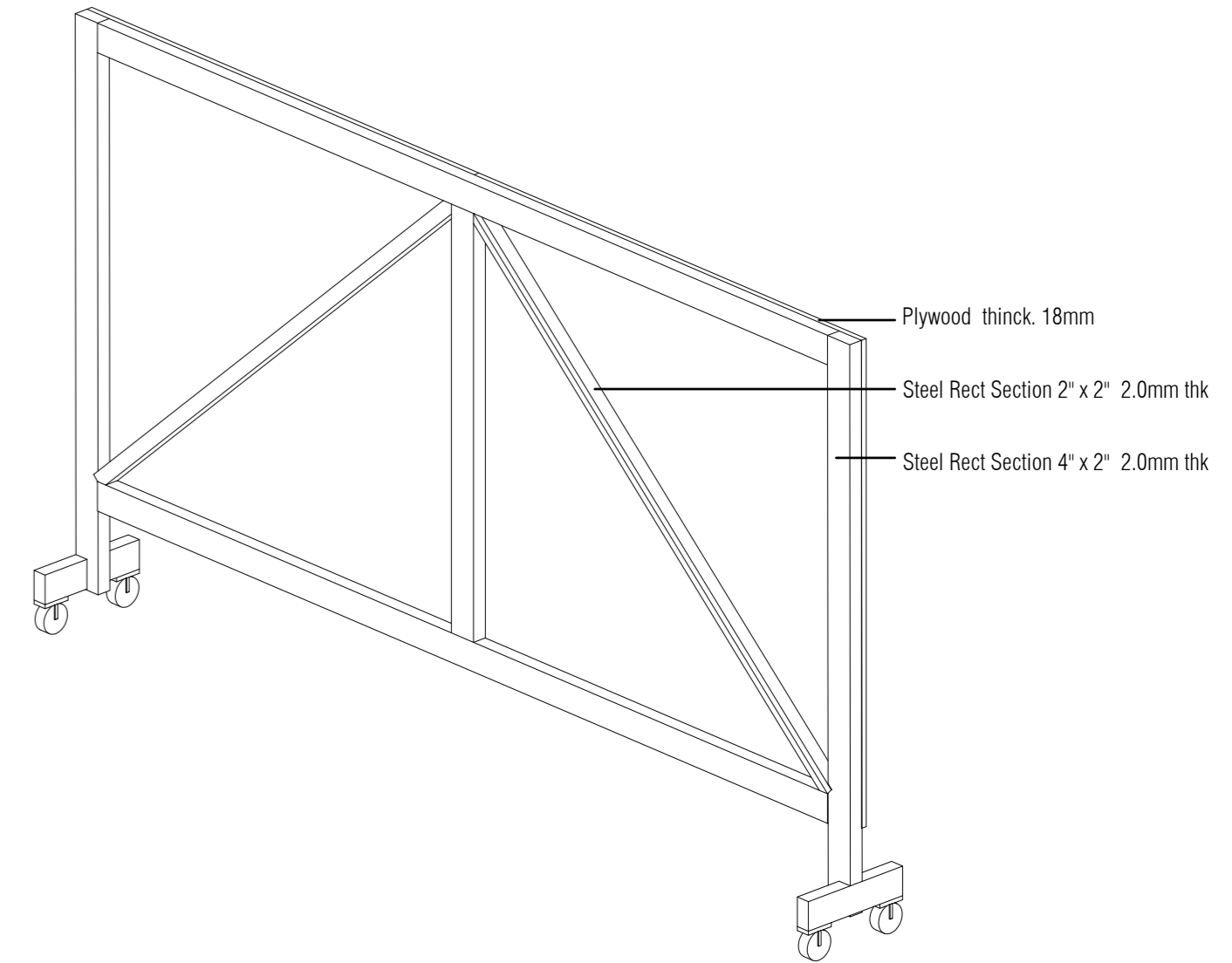
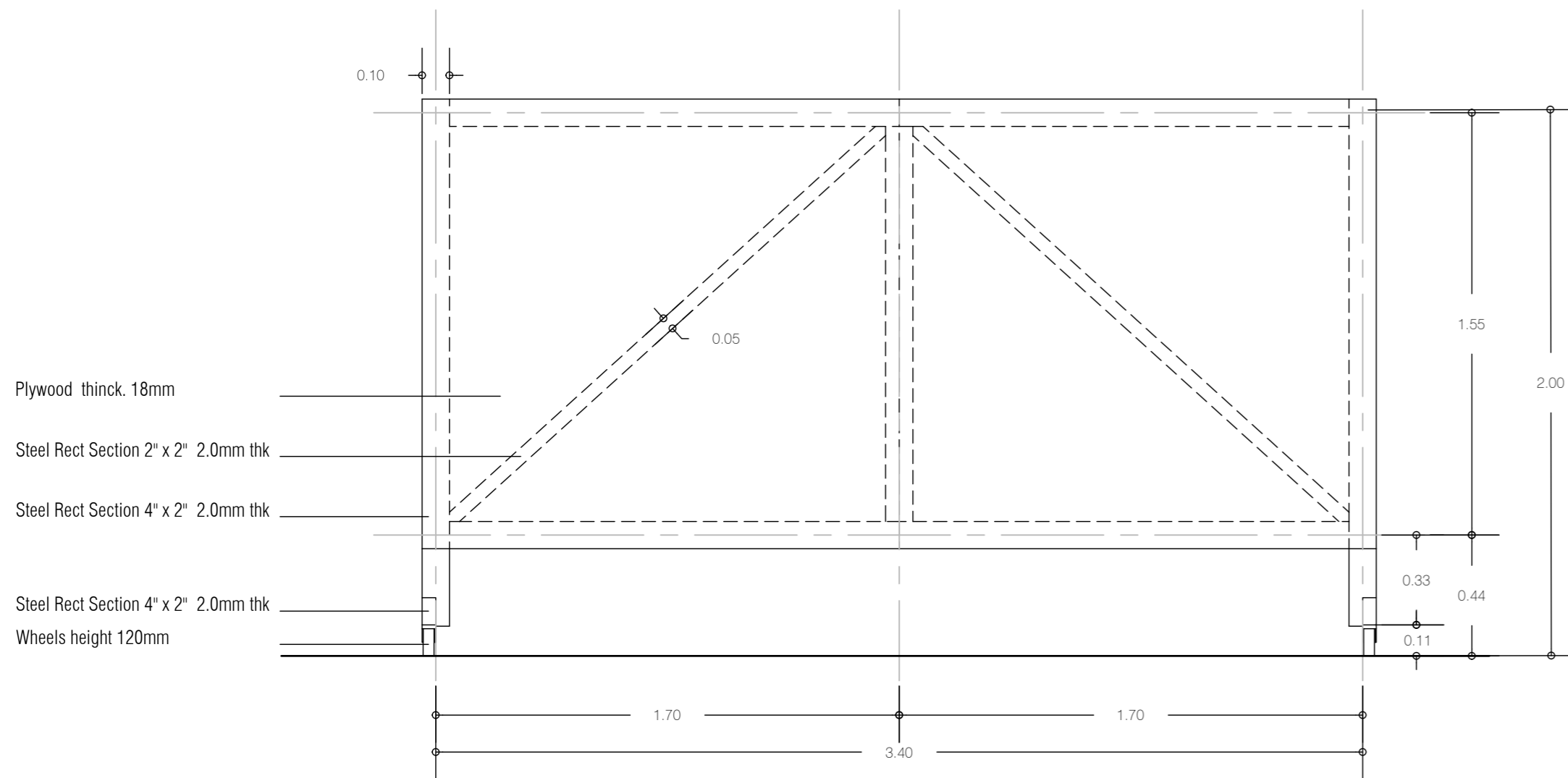
WORKING DRAWINGS

Sheet Title	SCHEDULE 2: DETAILS	
Drawing no.	SC_06_00	Rev. no.
Scale	1:20	
Project no.	KECDTPA_2022/06	
Drawn by	Juan Cuevas Durán	
Checked by		

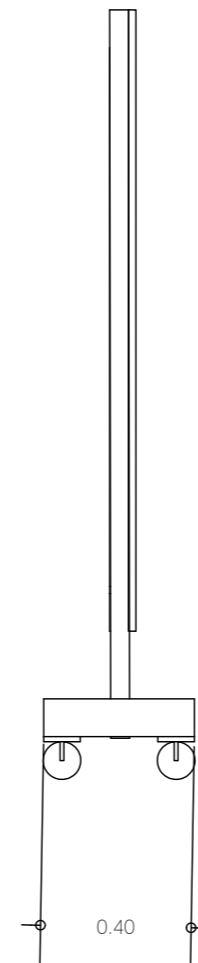
PARTITION/WHITEBOARD STAND



FLOORPLAN

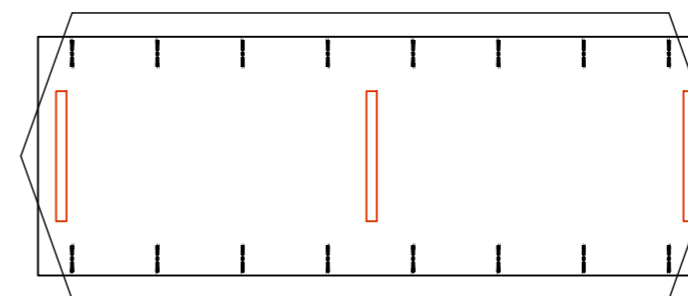


AXONOMETRIC



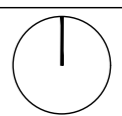
SECTION

LOCATION



NOTES:

1. All dimenstions are in meters unless otherwise specified.
2. Drawings are not to be scaled.
3. Incase of any discrepancy in dimensioning same has to be brought to the notice of the architect.
4. The drawing should not be measured, follow written dimensions only.
5. All levels are from unfinished floor level.



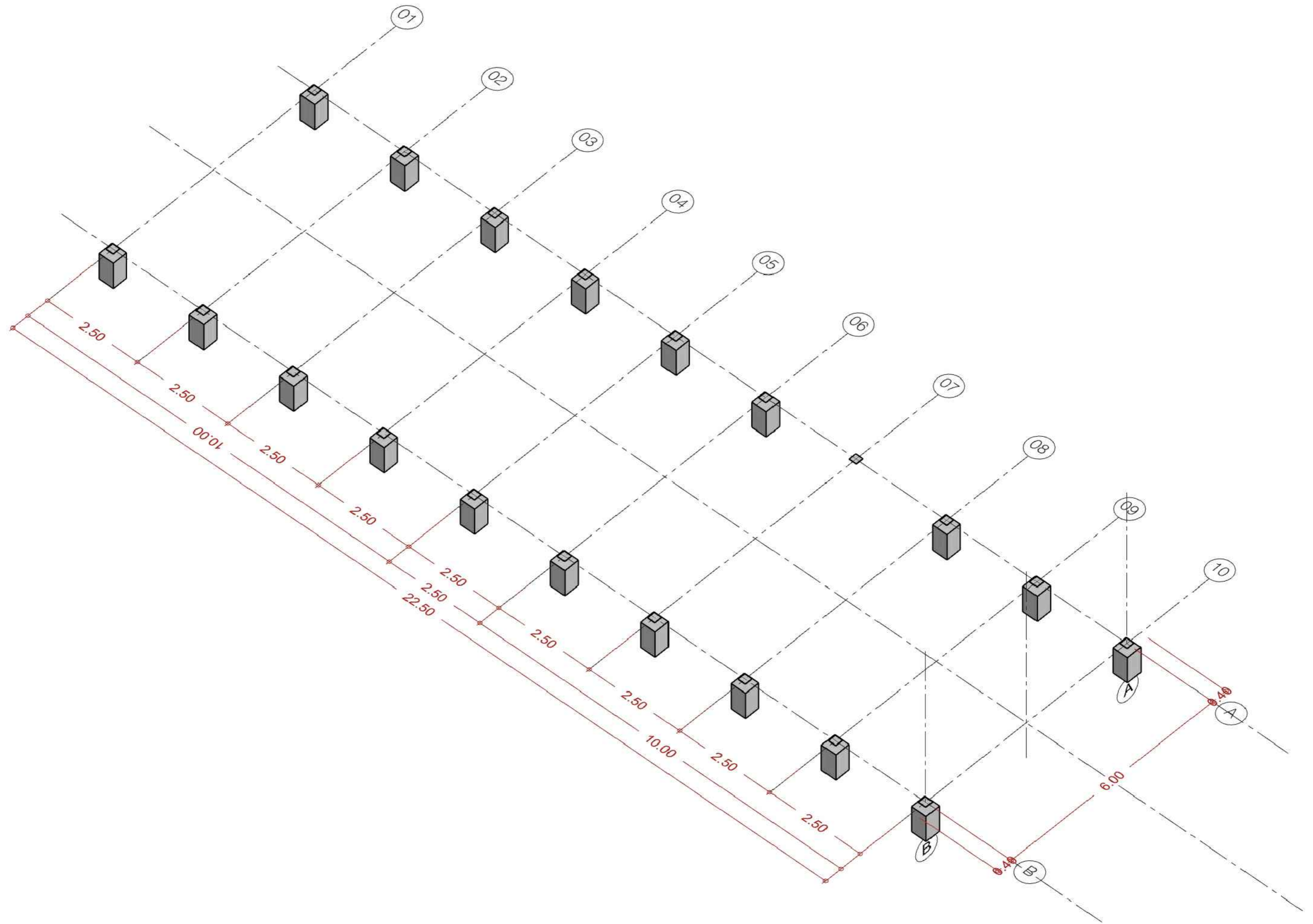
WORKING DRAWINGS

Sheet Title	SCHEDULE 2. DETAILS	
Drawing no.	SC_07_00	Rev. no.
Scale	1:20	
Project no.	KECDTPA_2022/06	
Drawn by	Juan Cuevas Durán	
Checked by		

ESTUDIO CAVERNAS
Amphoe Mae Sot,
Tak, Thailand

www.estudiocavernas.com
info@estudiocavernas.org

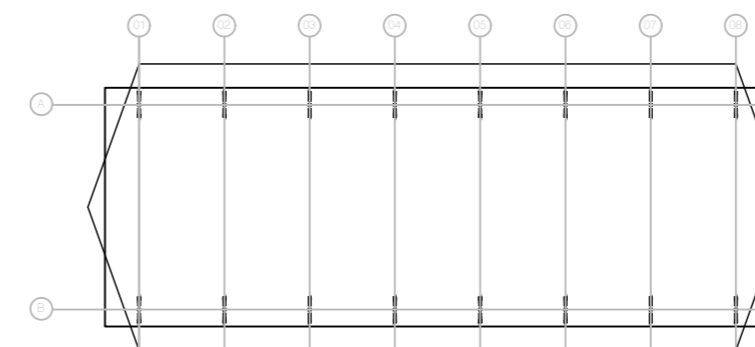
This drawing is copyright.
It is property of KECD and is not to be reproduced,
copied or handed over to a third party or used for
any purpose other than that for which it has been
loaned.



ESTUDIO CAVERNAS
 Amphoe Mae Sot,
 Tak, Thailand

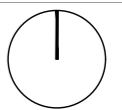
www.estudiocavernas.com
 info@estudiocavernas.org

This drawing is copyright.
 It is property of KECD and is not to be reproduced,
 copied or handed over to a third party or used for
 any purpose other than that for which it has been
 loaned.



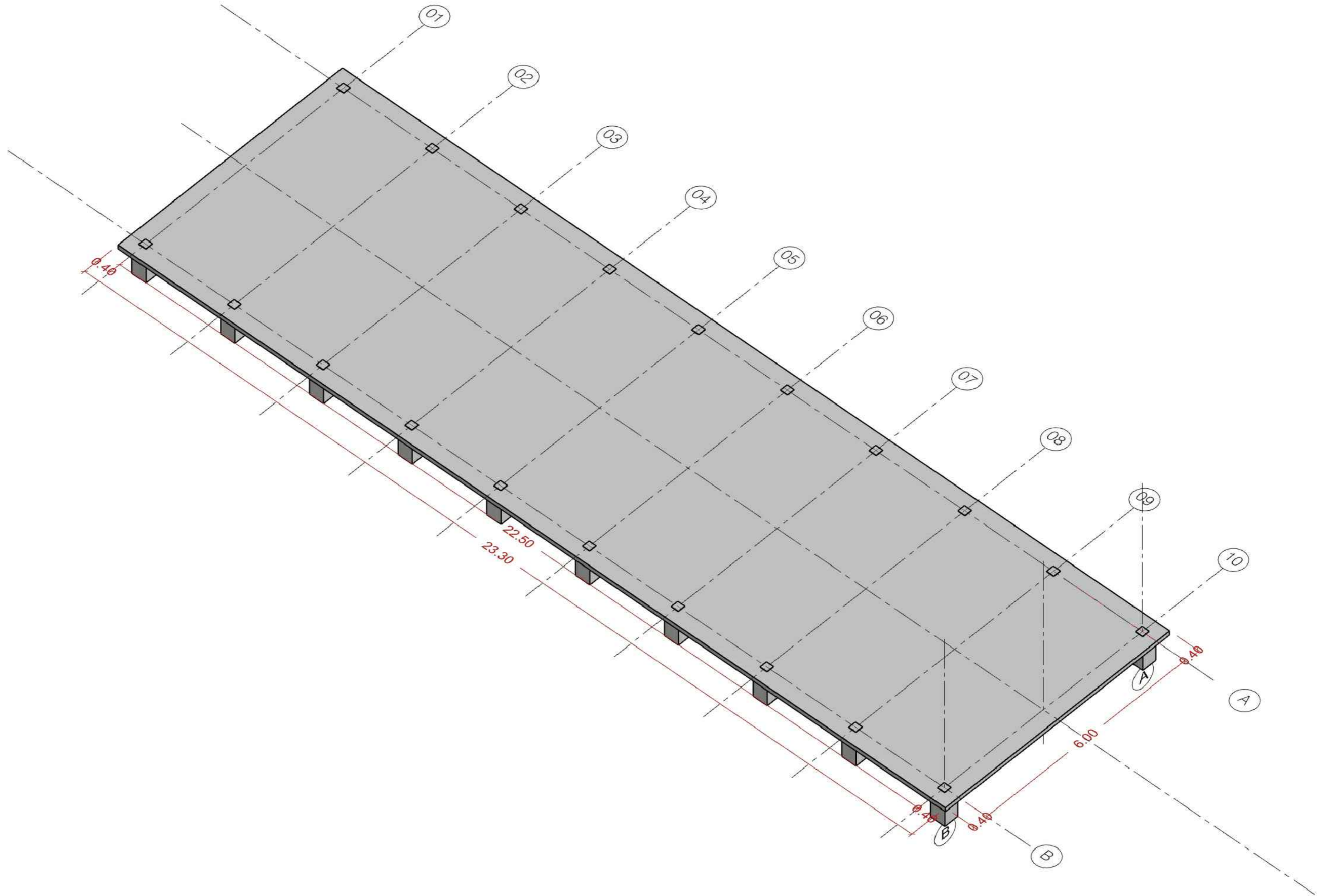
NOTES:

1. All dimensions are in meters unless otherwise specified.
2. Drawings are not to be scaled.
3. In case of any discrepancy in dimensioning same has to be brought to the notice of the architect.
4. The drawing should not be measured, follow written dimensions only.
5. All levels are from unfinished floor level.



WORKING DRAWINGS

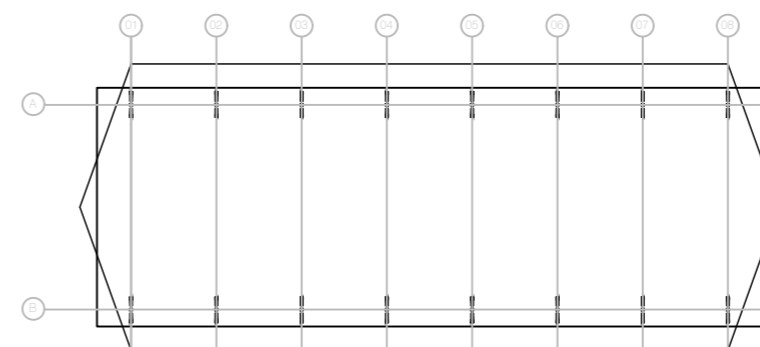
Sheet Title	AXON1	
Drawing no.	AX_01_00	Rev. no.
Scale	not to scale	
Project no.	KECDTP_2022/06	
Drawn by	Juan Cuevas Durán	
Checked by		



ESTUDIO CAVERNAS
Amphoe Mae Sot,
Tak, Thailand

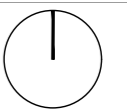
www.estudiocavernas.com
info@estudiocavernas.org

This drawing is copyright.
It is property of KECD and is not to be reproduced,
copied or handed over to a third party or used for
any purpose other than that for which it has been
loaned.



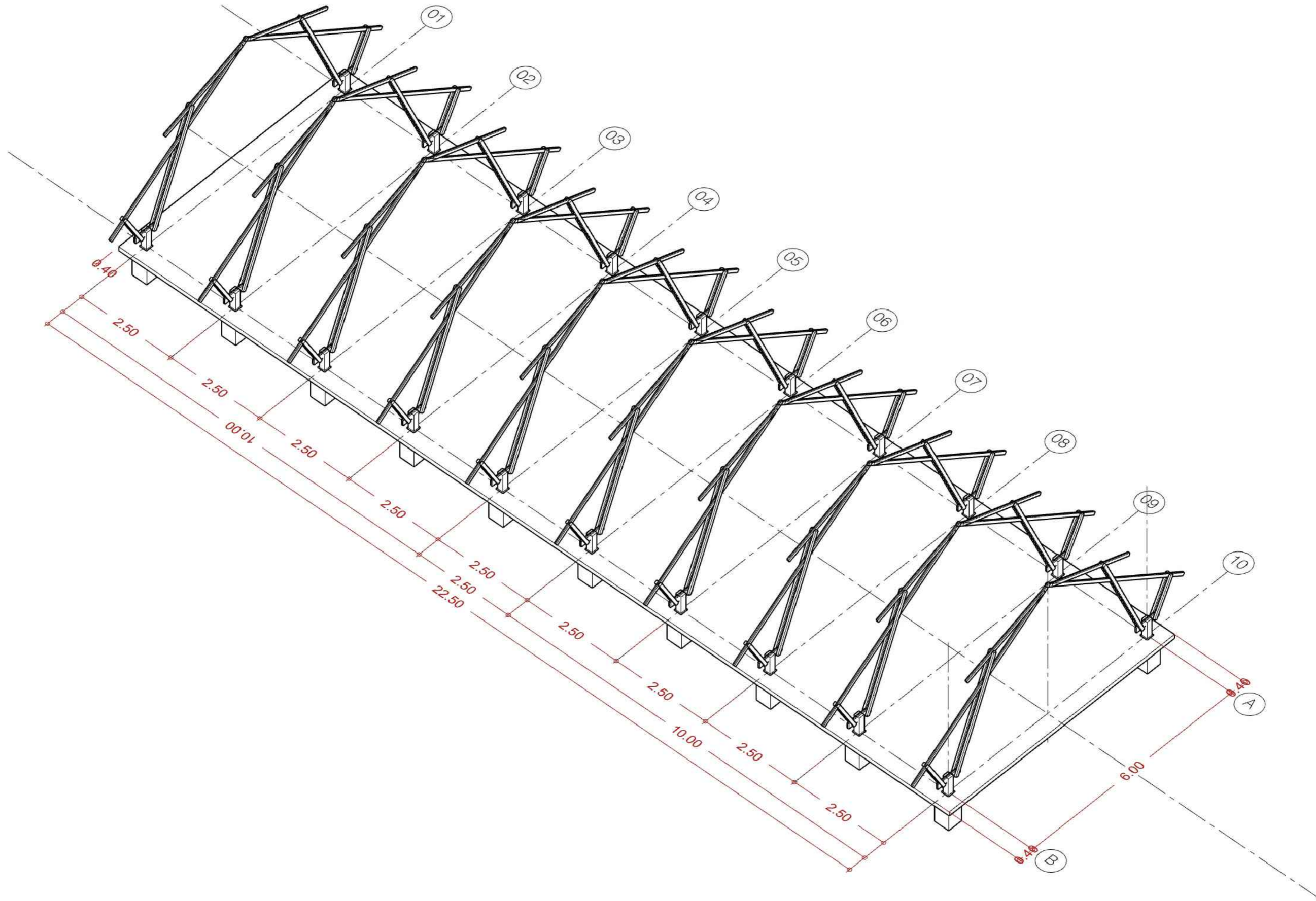
NOTES:

1. All dimensions are in meters unless otherwise specified.
2. Drawings are not to be scaled.
3. In case of any discrepancy in dimensioning same has to be brought to the notice of the architect.
4. The drawing should not be measured, follow written dimensions only.
5. All levels are from unfinished floor level.



WORKING DRAWINGS

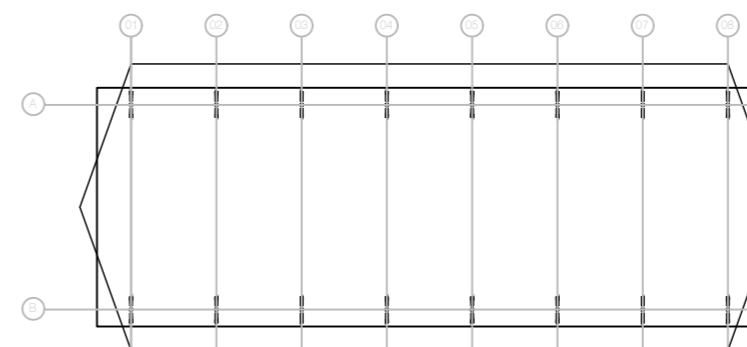
Sheet Title	AXON2
Drawing no.	AX_02_00 Rev. no.
Scale	not to scale
Project no.	KECDTP_2022/06
Drawn by	Juan Cuevas Durán
Checked by	



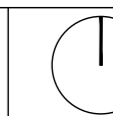
ESTUDIO CAVERNAS
Amphoe Mae Sot,
Tak, Thailand

www.estudiocavernas.com
info@estudiocavernas.org

This drawing is copyright.
It is property of KECD and is not to be reproduced,
copied or handed over to a third party or used for
any purpose other than that for which it has been
loaned.

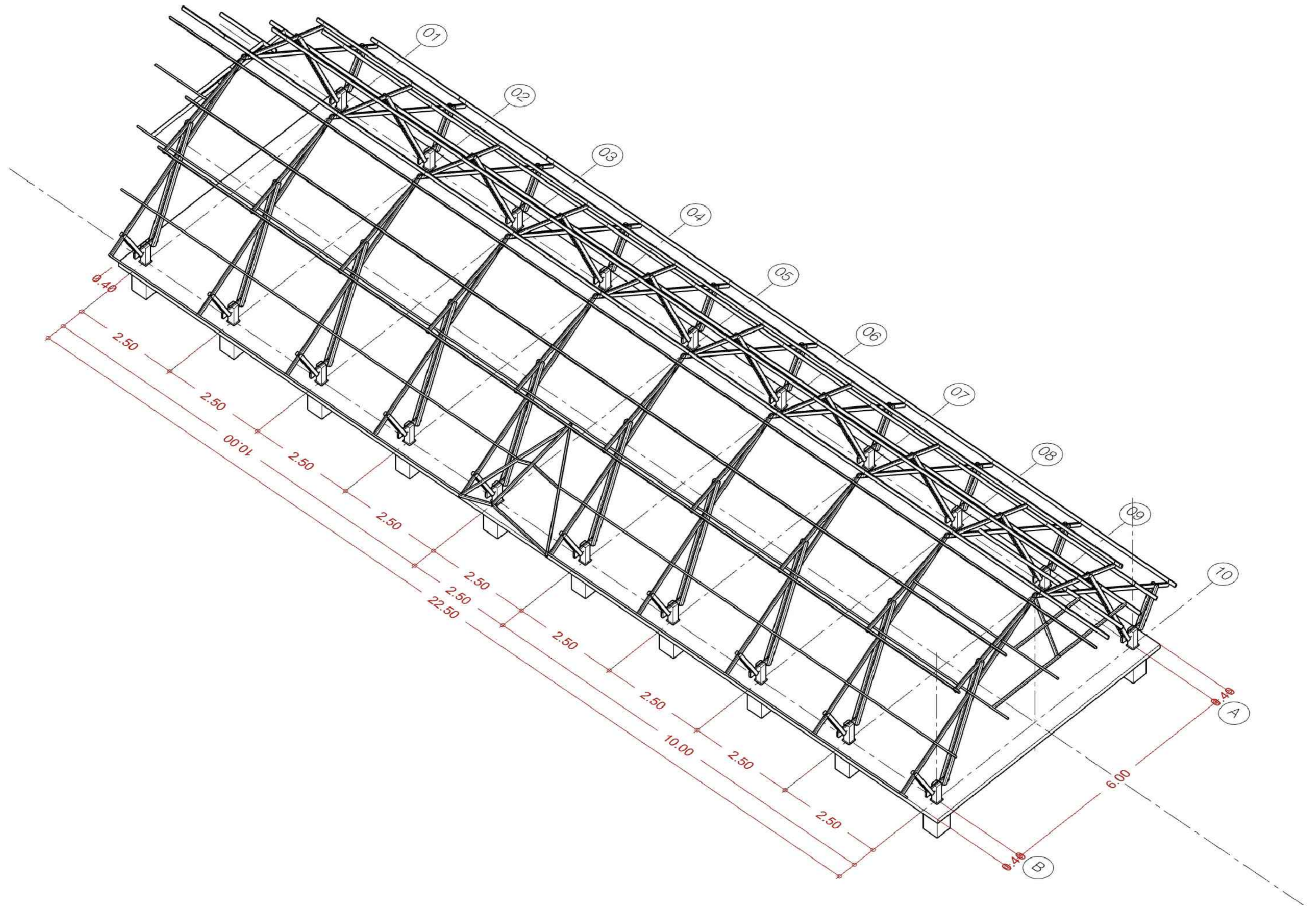


- NOTES:**
1. All dimensions are in meters unless otherwise specified.
 2. Drawings are not to be scaled.
 3. In case of any discrepancy in dimensioning same has to be brought to the notice of the architect.
 4. The drawing should not be measured, follow written dimensions only.
 5. All levels are from unfinished floor level.



WORKING DRAWINGS

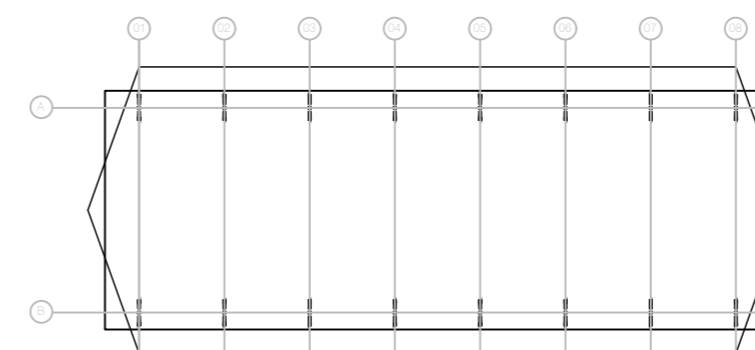
Sheet Title	AXON3	
Drawing no.	AX_03_00	Rev. no.
Scale	not to scale	
Project no.	KECDTP_2022/06	
Drawn by	Juan Cuevas Durán	
Checked by		



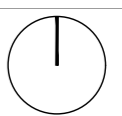
ESTUDIO CAVERNAS
Amphoe Mae Sot,
Tak, Thailand

www.estudiocavernas.com
info@estudiocavernas.org

This drawing is copyright.
It is property of KECD and is not to be reproduced,
copied or handed over to a third party or used for
any purpose other than that for which it has been
loaned.

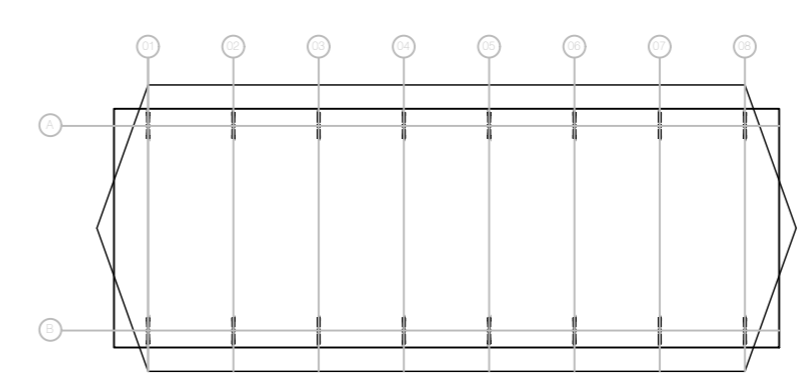
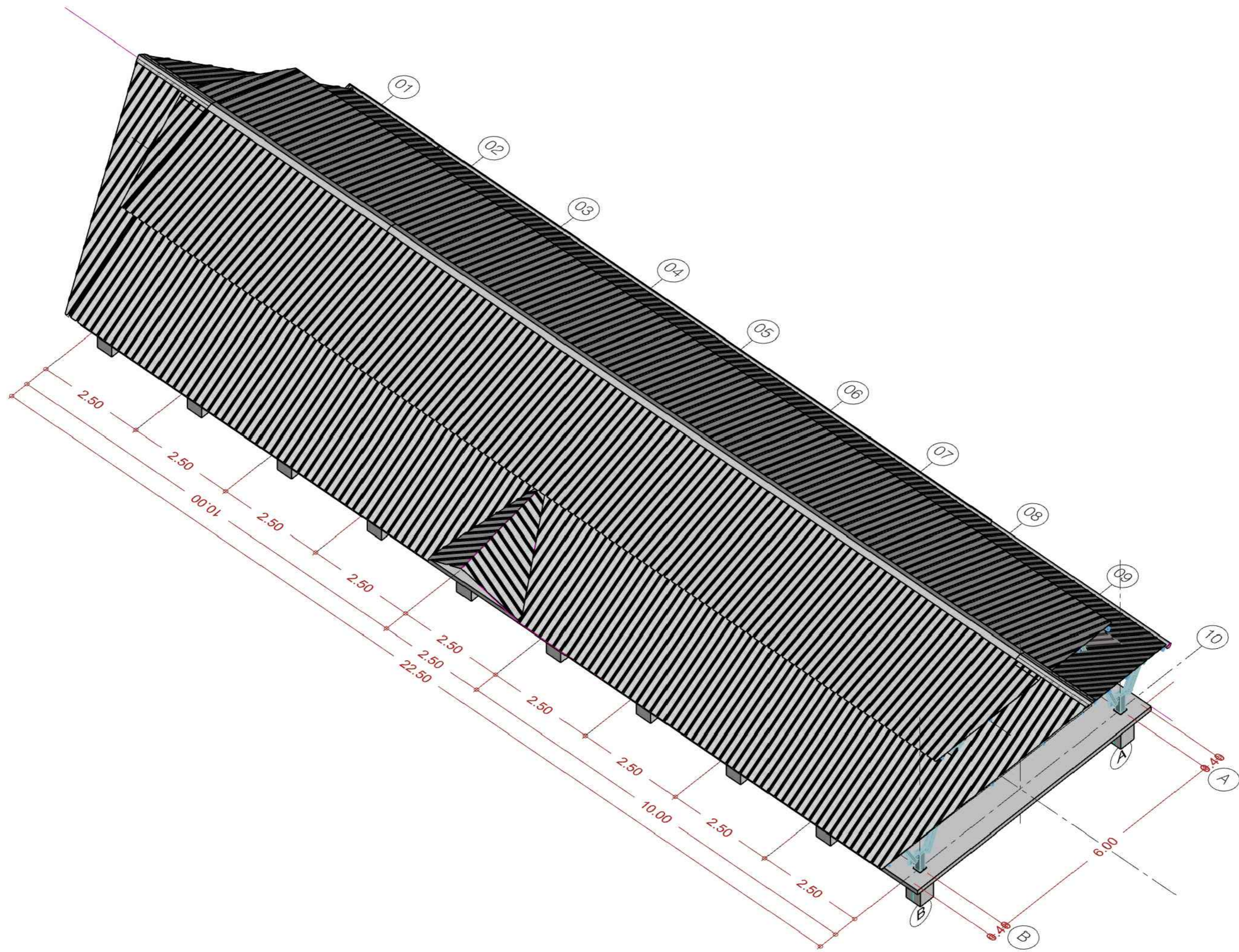


- NOTES:**
1. All dimensions are in meters unless otherwise specified.
 2. Drawings are not to be scaled.
 3. In case of any discrepancy in dimensioning same has to be brought to the notice of the architect.
 4. The drawing should not be measured, follow written dimensions only.
 5. All levels are from unfinished floor level.



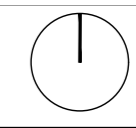
WORKING DRAWINGS

Sheet Title	AXON4
Drawing no.	AX_04_00 Rev. no.
Scale	not to scale
Project no.	KECDTP_2022/06
Drawn by	Juan Cuevas Durán
Checked by	



NOTES:

1. All dimensions are in meters unless otherwise specified.
2. Drawings are not to be scaled.
3. In case of any discrepancy in dimensioning same has to be brought to the notice of the architect.
4. The drawing should not be measured, follow written dimensions only.
5. All levels are from unfinished floor level.



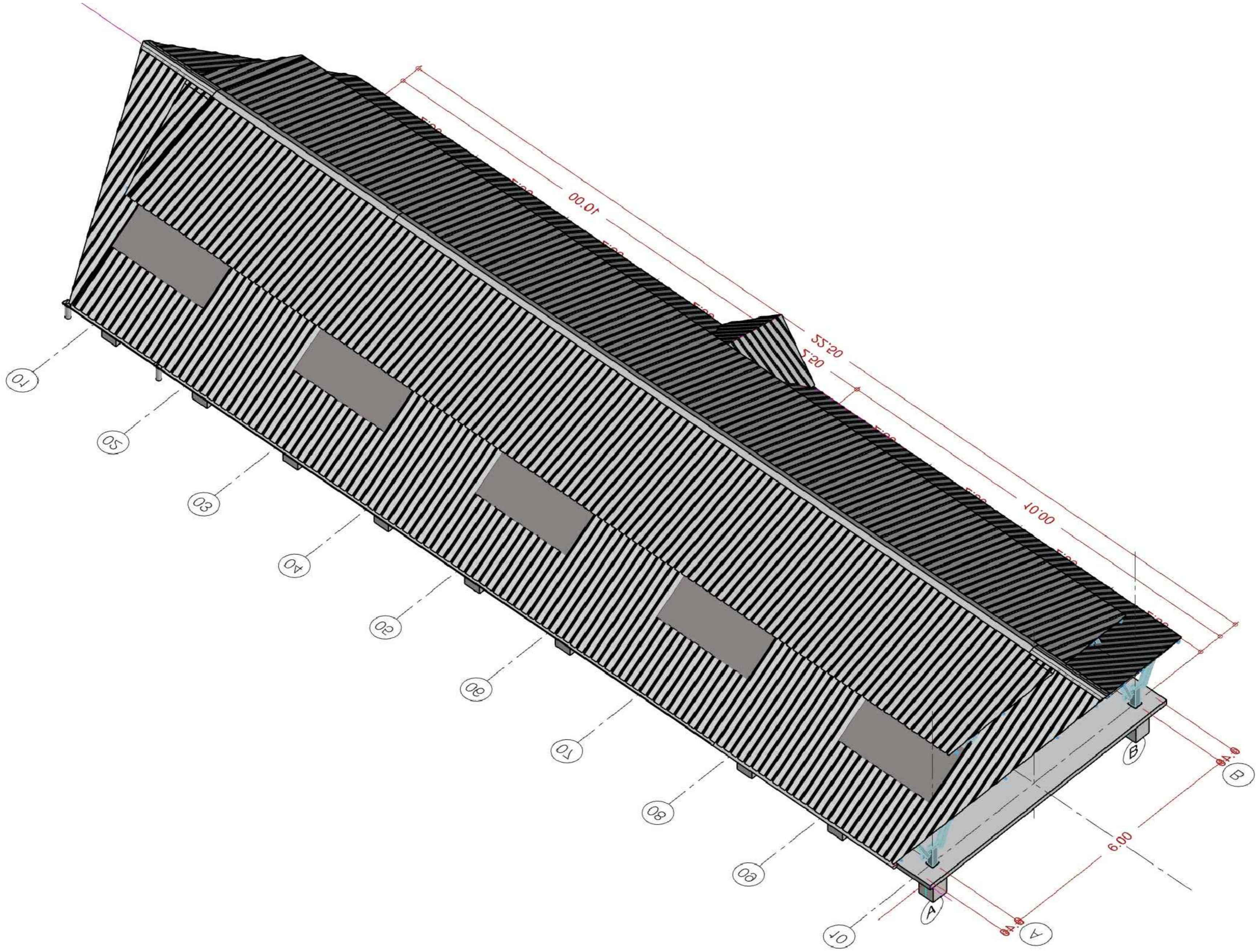
WORKING DRAWINGS

Sheet Title	AXON5
Drawing no.	AX_05_00 Rev. no.
Scale	not to scale
Project no.	KECDTP_2022/06
Drawn by	Juan Cuevas Durán
Checked by	

ESTUDIO CAVERNAS
 Amphoe Mae Sot,
 Tak, Thailand

www.estudiocavernas.com
 info@estudiocavernas.org

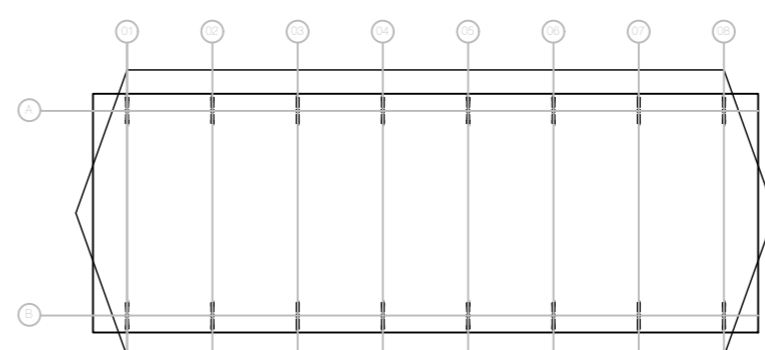
This drawing is copyright.
 It is property of KECD and is not to be reproduced,
 copied or handed over to a third party or used for
 any purpose other than that for which it has been
 loaned.



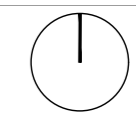
ESTUDIO CAVERNAS
Amphoe Mae Sot,
Tak, Thailand

www.estudiocavernas.com
info@estudiocavernas.org

This drawing is copyright.
It is property of KECD and is not to be reproduced,
copied or handed over to a third party or used for
any purpose other than that for which it has been
loaned.



- NOTES:**
1. All dimensions are in meters unless otherwise specified.
 2. Drawings are not to be scaled.
 3. In case of any discrepancy in dimensioning same has to be brought to the notice of the architect.
 4. The drawing should not be measured, follow written dimensions only.
 5. All levels are from unfinished floor level.



WORKING DRAWINGS

Sheet Title	AXON6
Drawing no.	AX_06_00 Rev. no.
Scale	not to scale
Project no.	KECDTP_2022/06
Drawn by	Juan Cuevas Durán
Checked by	