

CONSTRUCTION DRAWINGS FOR TEMPORARY LEARNING CENTRE

CONSTRUCTION

ARCHITECT



No.675-676, Lawpitta Road, 36 Quarter,
North Dagon Myolthi, Yangon, Myanmar.
Ph.: 09 791443353

OWNER / APPLICANT

M.N.E.C (Nisa)

PROJECT TITLE

TEMPORARY LEARNING
CENTER

LOCATION

MAWLAMYAING, MON STATE

STRUCTURAL ENGINEER

NOTES:
- DO NOT SCALE DRAWINGS.

DATE	DESCRIPTION	REV

Drawing Title:

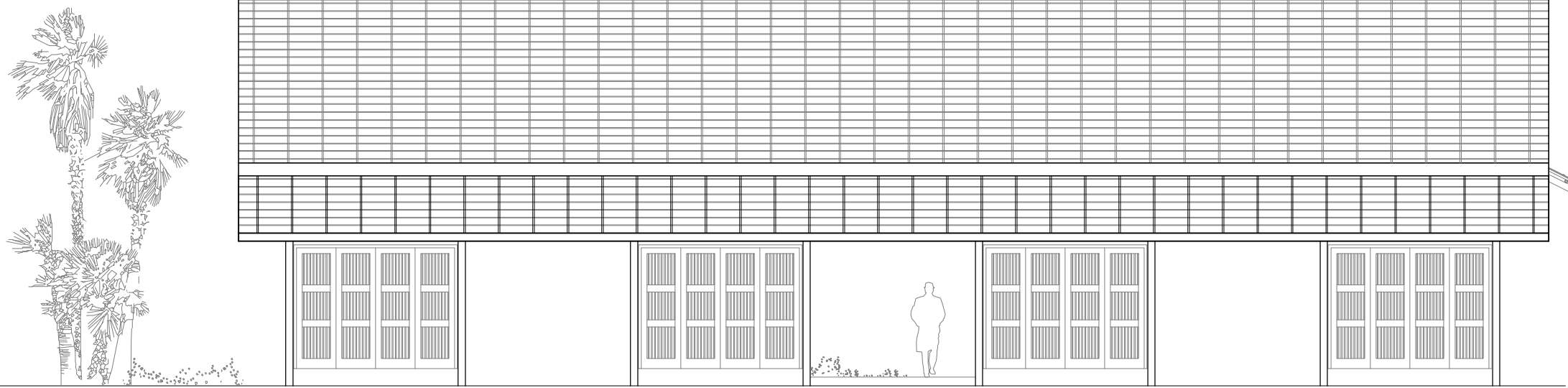
ELEVATIONS A & C
BUILDING (B)

PROJECT CODE	
SCALE	1" = 8'-0"
PAPER SIZE	A3
DATE	10.9.2021
DRAWN BY	SWH

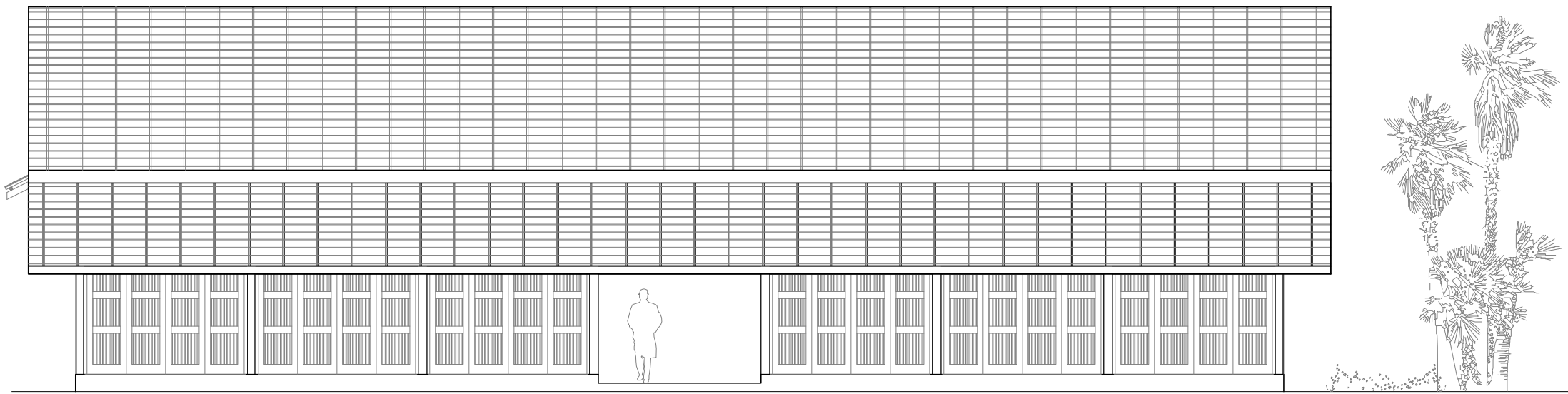
DRAWING NO.

A-303

THIS DRAWING IS COPYRIGHT OF RANGOON DESIGNER STUDIO.



ELEVATION - A
BUILDING (B)
Temporary Learning Centre
M.N.E.C (Nisa)
Scale 1" = 8'-0"



ELEVATION - C
BUILDING (B)
Temporary Learning Centre
M.N.E.C (Nisa)
Scale 1" = 8'-0"

CONSTRUCTION

ARCHITECT



No.675-676, Lawpitta Road, 36 Quarter,
North Dagon Myolthi, Yangon, Myanmar.
Ph.: 09 791443353

OWNER / APPLICANT

M.N.E.C (Nisa)

PROJECT TITLE

TEMPORARY LEARNING
CENTER

LOCATION

MAWLAMYAING, MON STATE

STRUCTURAL ENGINEER

NOTES:
- DO NOT SCALE DRAWINGS.

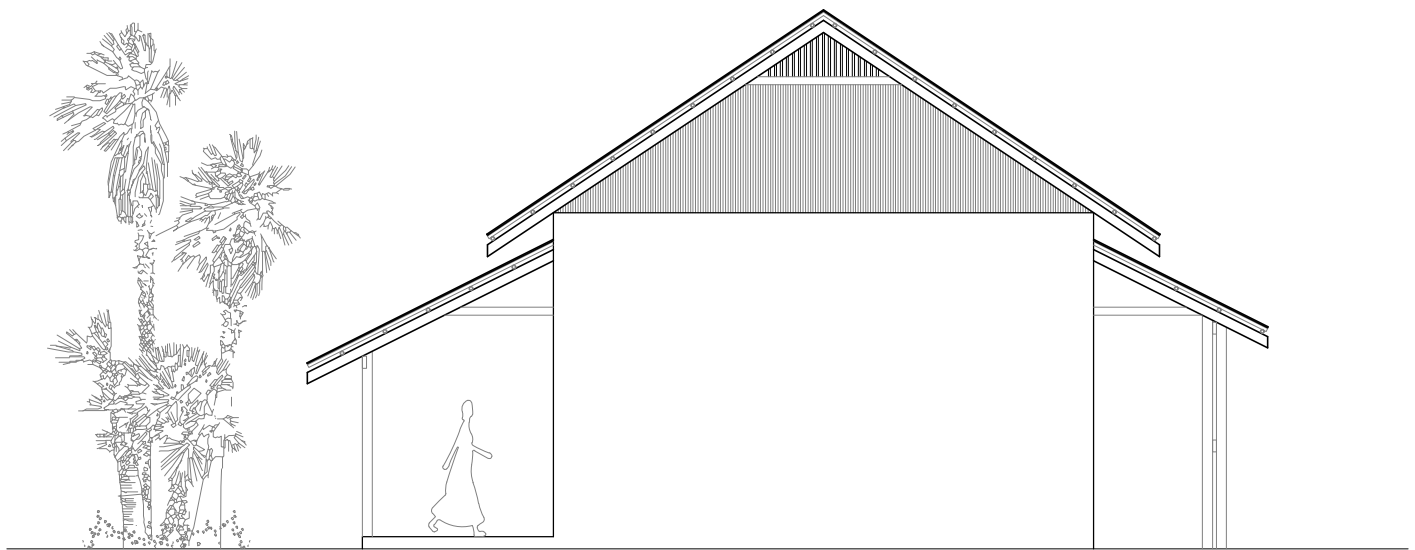
DATE	DESCRIPTION	REV

Drawing Title:
ELEVATIONS B & D
BUILDING (B)

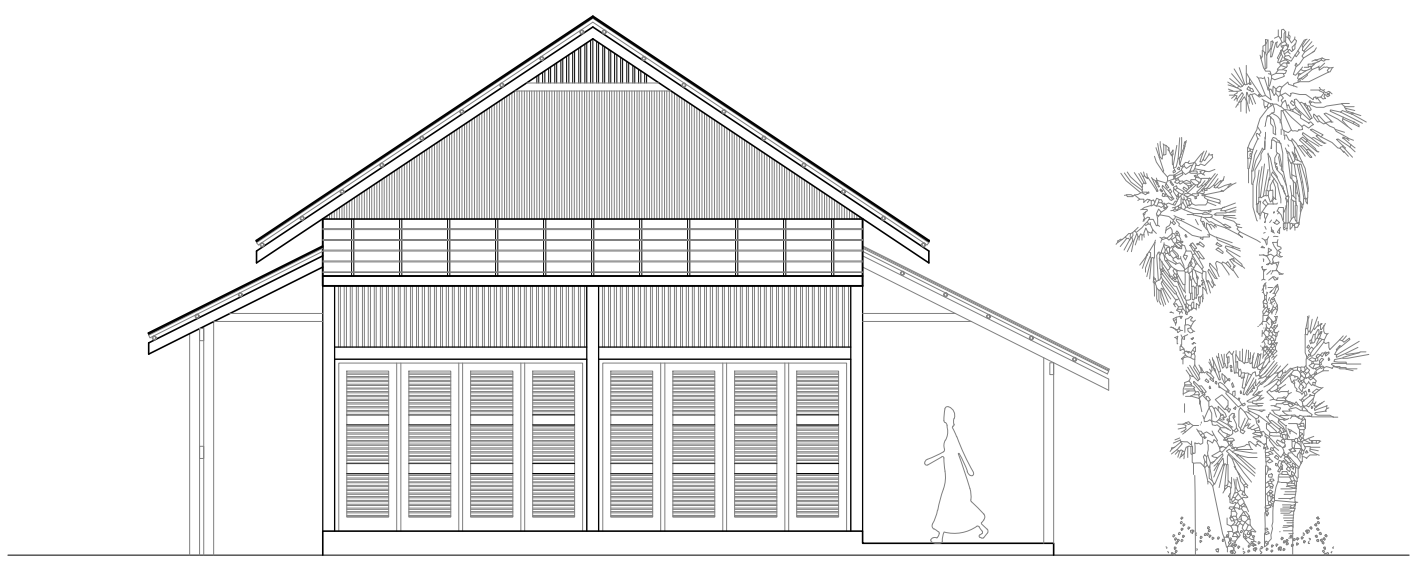
PROJECT CODE	
SCALE	1" = 8'-0"
PAPER SIZE	A3
DATE	10.9.2021
DRAWN BY	SWH

DRAWING NO.

A-304



ELEVATION - B
BUILDING (B)
Temporary Learning Centre
M.N.E.C (Nisa)
Scale 1" = 8'-0"



ELEVATION - D
BUILDING (B)
Temporary Learning Centre
M.N.E.C (Nisa)
Scale 1" = 8'-0"

CONSTRUCTION

ARCHITECT



No.675-676, Lawpitta Road, 34 Quarter,
North Dagon Myothih, Yangon, Myanmar.
Ph.: 09 791443353

OWNER /APPLICANT

M.N.E.C (Nisa)

PROJECT TITLE

TEMPORARY LEARNING
CENTER

LOCATION

MAWLAMYAING , MON STATE

STRUCTURAL ENGINEER

NOTES:
- DO NOT SCALE DRAWINGS.

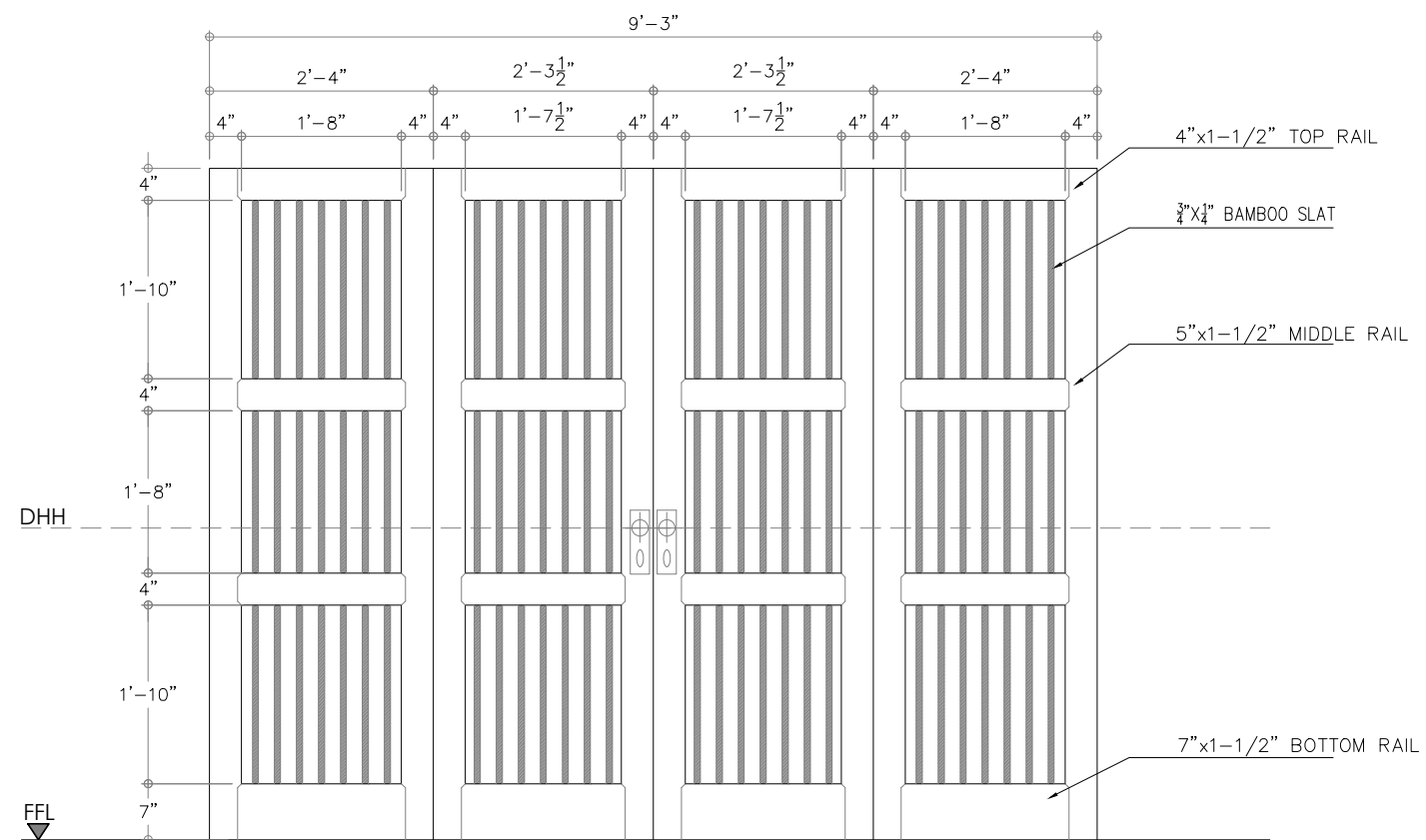
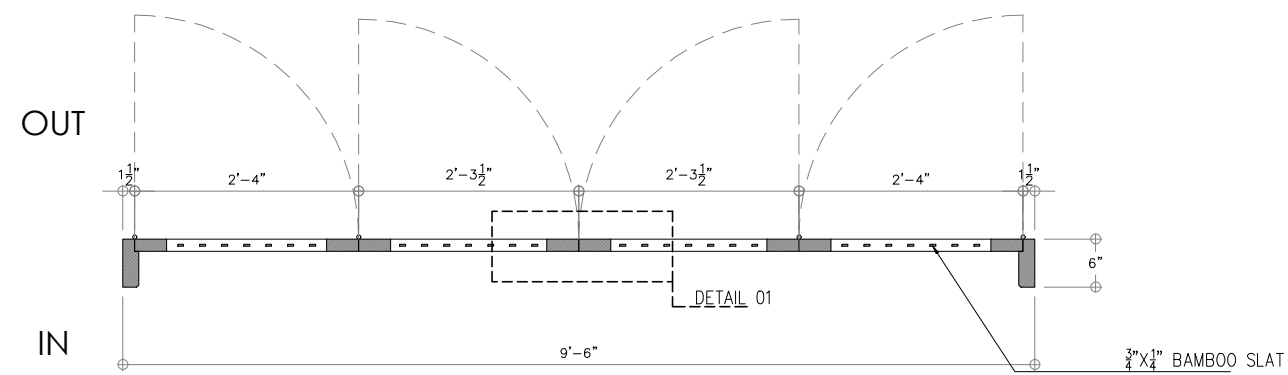
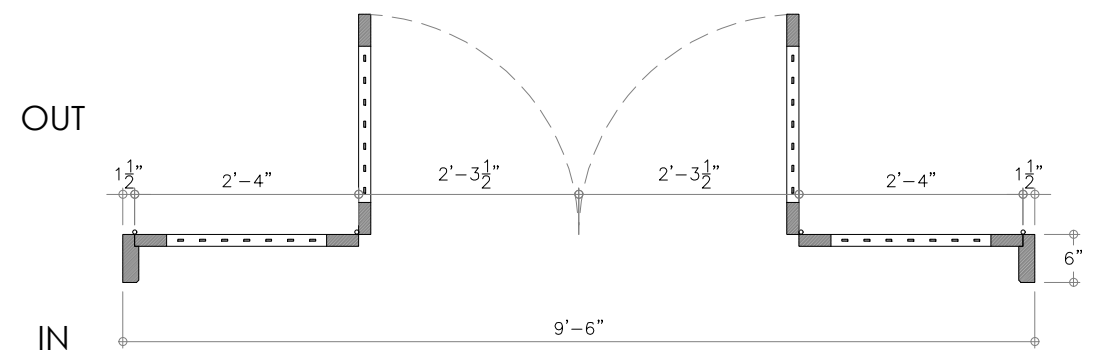
DATE	DESCRIPTION	REV

Drawing Title:
DOOR DETAIL 04

PROJECT CODE	
SCALE	1" = 2'-0"
PAPER SIZE	A3
DATE	10.9.2021
DRAWN BY	KRKT

DRAWING NO.

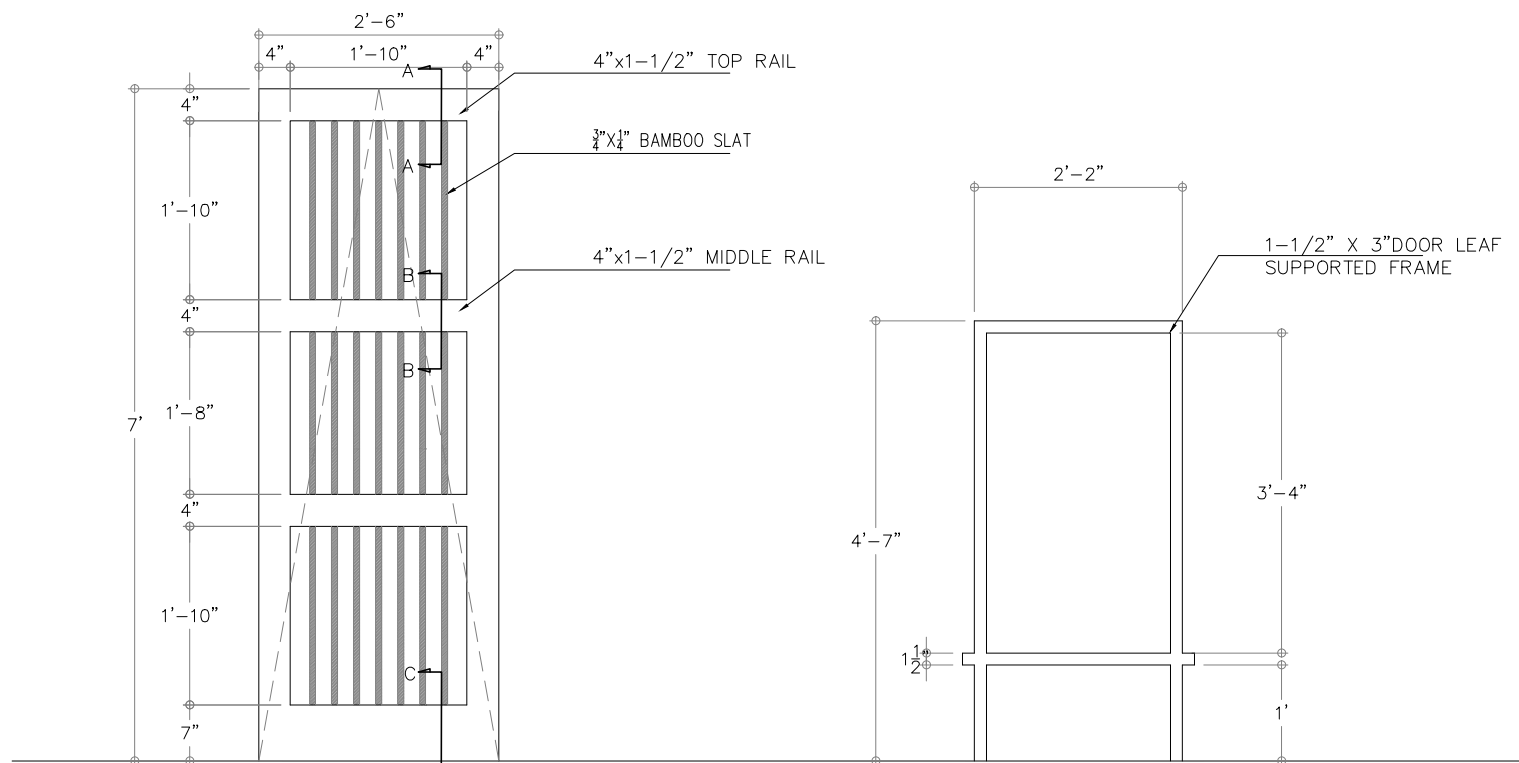
A-804



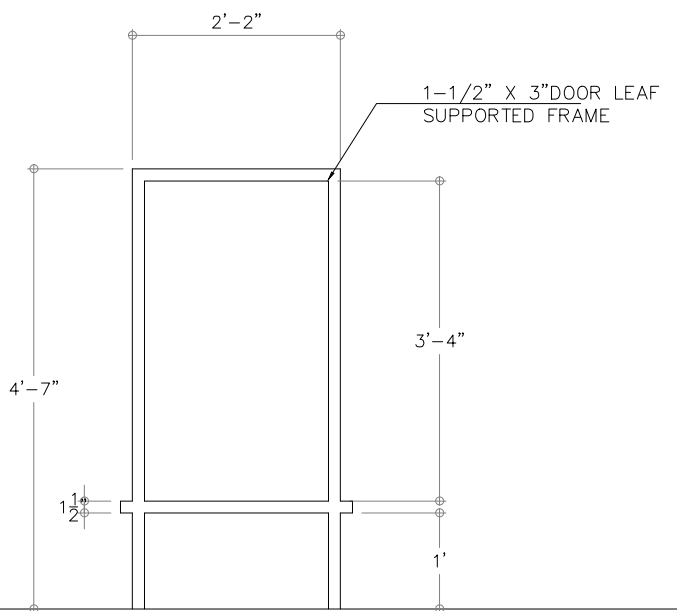
DR 01 (Door Leaves)
Temporary Learning Center
M.N.E.C (Nisa)
Scale 1" = 2'-0"

NOTE
FFL (FINISHED FLOOR LEVEL)
DHH (DOOR HANDLE HEIGHT)

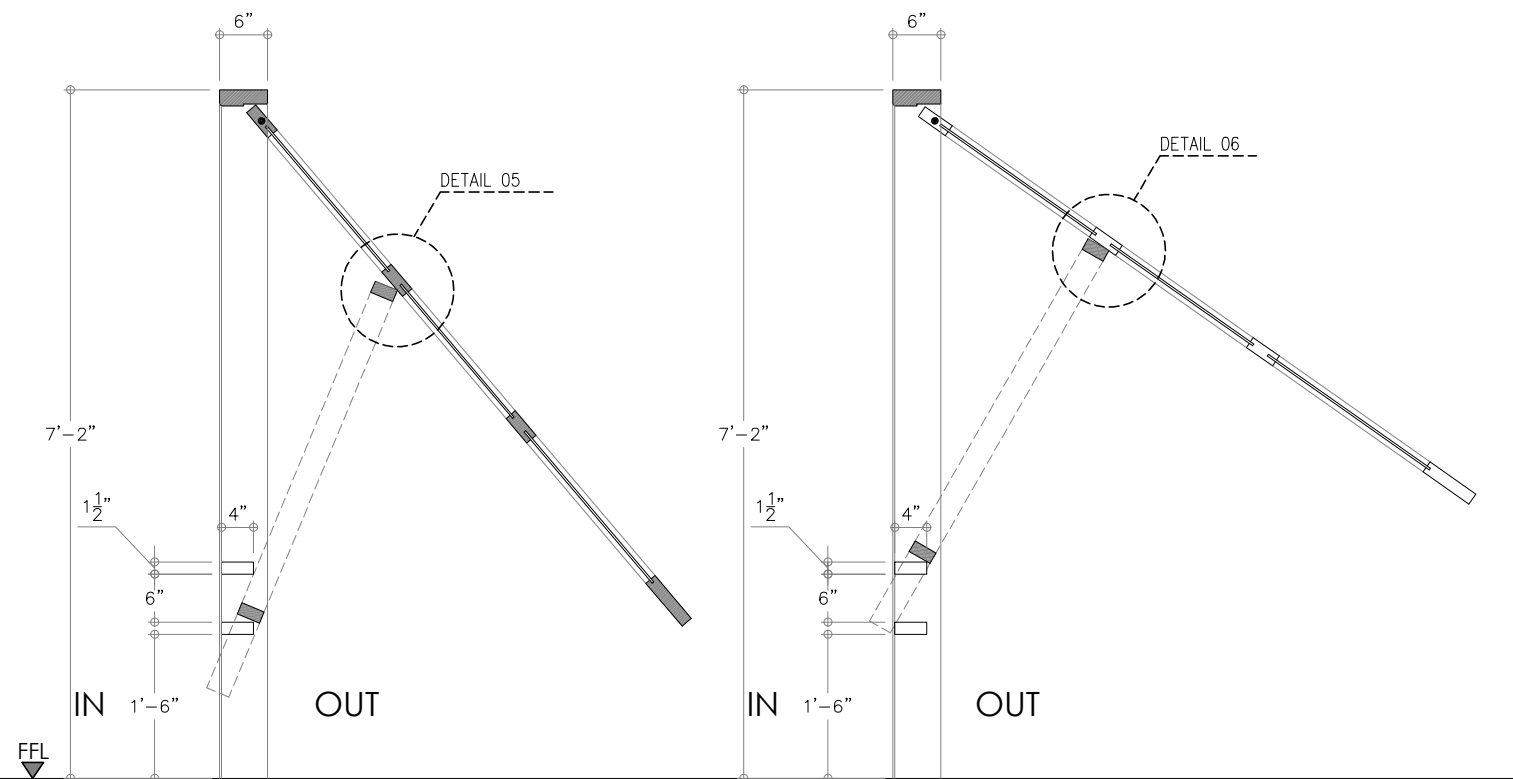
THIS DRAWING IS COPYRIGHT OF RANGOON DESIGNER STUDIO.



DR 02(Door Leaves)
 Temporary Learning Center
 M.N.E.C (Nisa)
 Scale 1" = 2'-0"



DR 02(Door Leaf Supported Frame)
 Temporary Learning Center
 M.N.E.C (Nisa)
 Scale 1" = 2'-0"



DR 02
 Temporary Learning Center
 M.N.E.C (Nisa)
 Scale 1" = 2'-0"

CONSTRUCTION

ARCHITECT



No.675-676, Lawpitta Road, 36 Quarter,
 North Dagon Mycolthi, Yangon, Myanmar.
 Ph.: 09 791443353

OWNER /APPLICANT

M.N.E.C (Nisa)

PROJECT TITLE

TEMPORARY LEARNING
 CENTER

LOCATION

MAWLAMYAING , MON STATE

STRUCTURAL ENGINEER

NOTES:
 - DO NOT SCALE DRAWINGS.

DATE	DESCRIPTION	REV

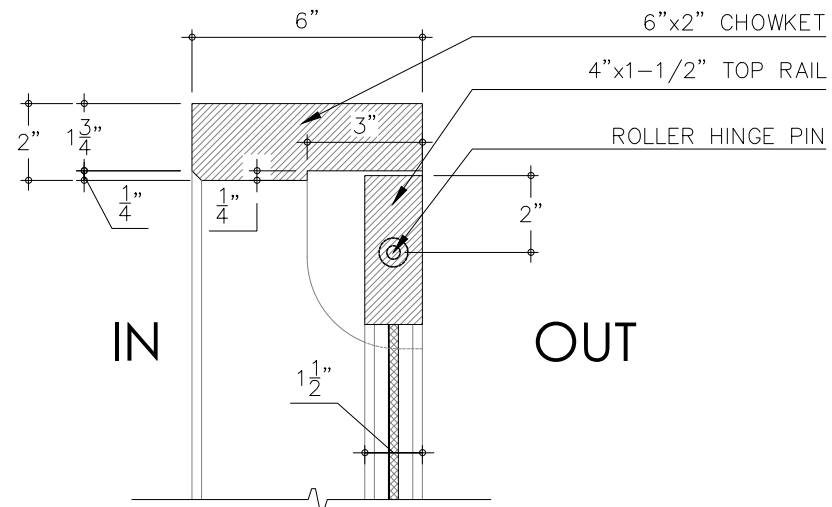
Drawing Title:

DOOR DETAIL 06

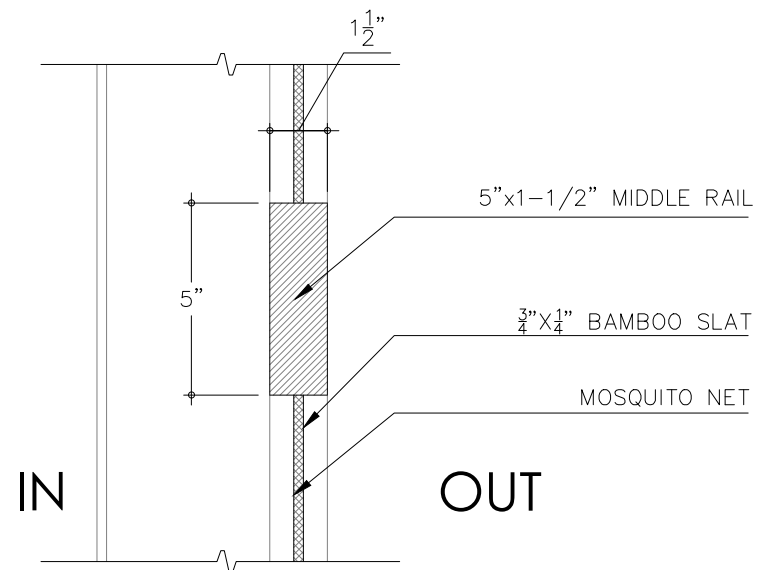
PROJECT CODE	
SCALE	1" =2'-0"
PAPER SIZE	A3
DATE	10.9.2021
DRAWN BY	KRKT

DRAWING NO.

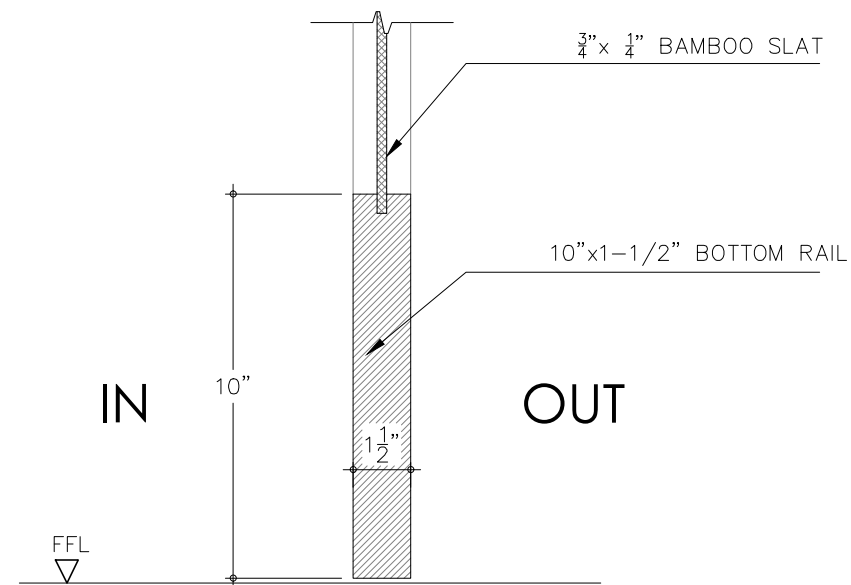
A-806



SECTION A-A
DR 02 Detail
Scale 1:5



SECTION B-B
DR 02 Detail
Scale 1:5



SECTION C-C
DR 02 Detail
Scale 1:5

CONSTRUCTION

ARCHITECT



No.675-676, Lawpitta Road, 36 Quater,
North Dagon Myolthi, Yangon, Myanmar.
Ph.: 09 791443353

OWNER /APPLICANT

M.N.E.C (Nisa)

PROJECT TITLE

TEMPORARY LEARNING
CENTER

LOCATION

MAWLAMYAING , MON STATE

STRUCTURAL ENGINEER

NOTES:
- DO NOT SCALE DRAWINGS.

DATE	DESCRIPTION	REV

Drawing Title:

DOOR DETAIL 07

PROJECT CODE	
SCALE	1:5
PAPER SIZE	A3
DATE	10.9.2021
DRAWN BY	KRKT

DRAWING NO.

A-807

CONSTRUCTION

ARCHITECT



No.675-676, Lawpita Road, 34 Quarter,
North Dagon Myothih, Yangon, Myanmar.
Ph.: 09 791443353

OWNER /APPLICANT

M.N.E.C (Nisa)

PROJECT TITLE

TEMPORARY LEARNING
CENTER

LOCATION

MAWLAMYAING , MON STATE

STRUCTURAL ENGINEER

NOTES:
- DO NOT SCALE DRAWINGS.

DATE	DESCRIPTION	REV

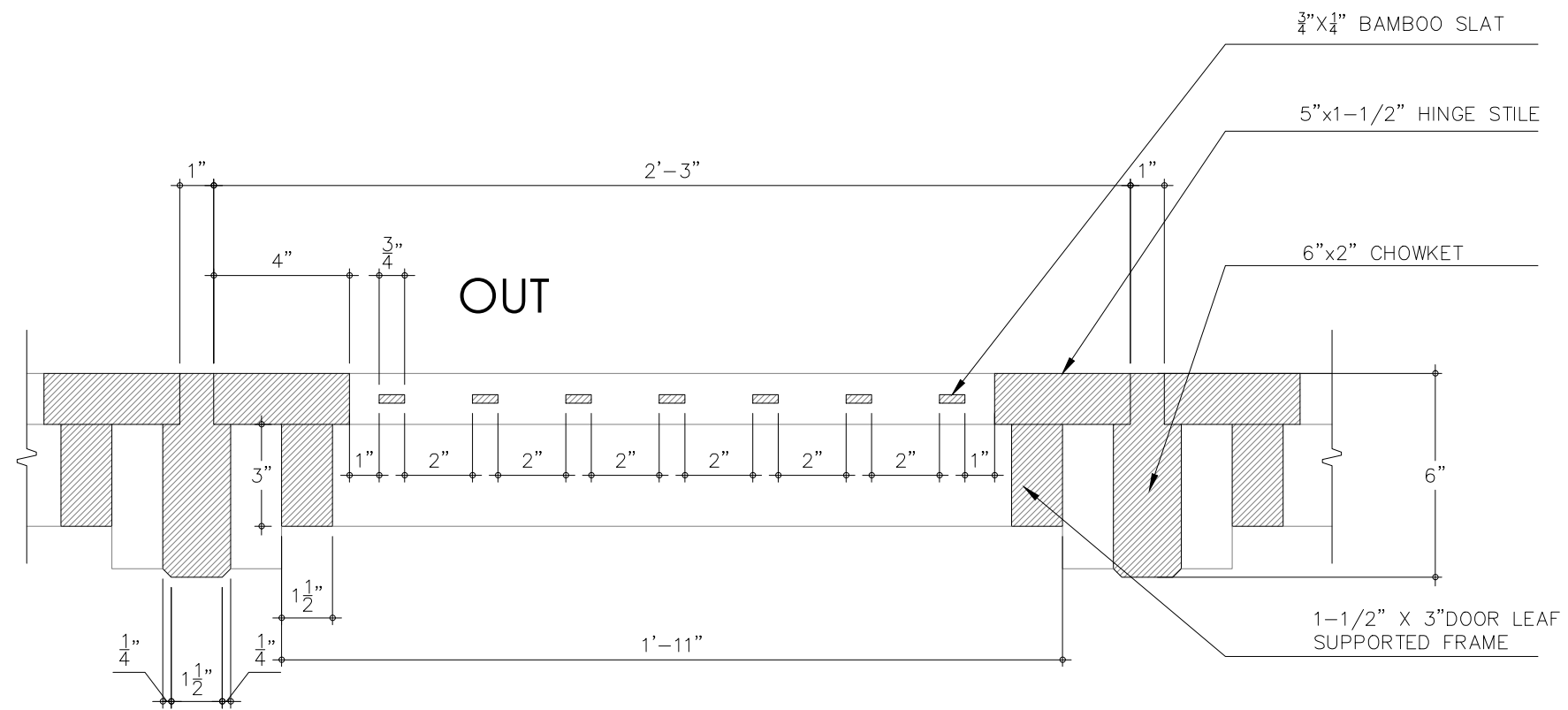
Drawing Title:

DOOR DETAIL 08

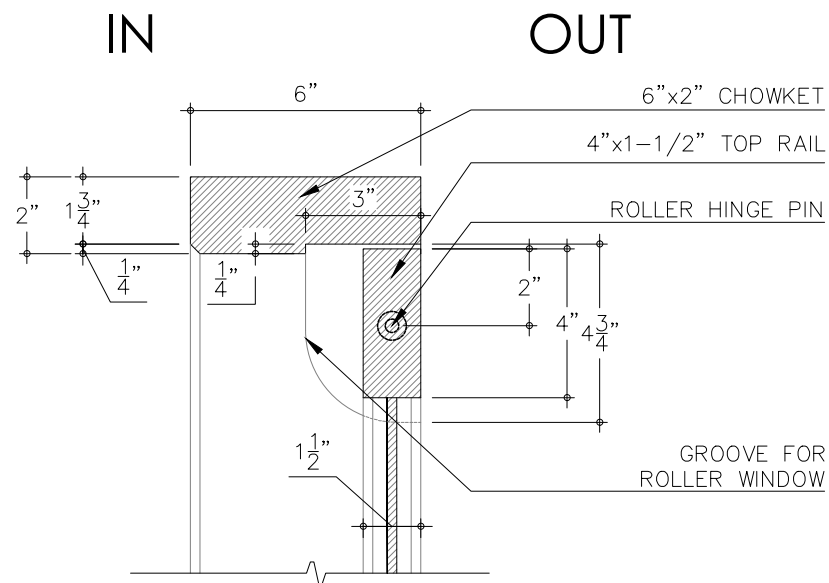
PROJECT CODE	
SCALE	1:5
PAPER SIZE	A3
DATE	10.9.2021
DRAWN BY	KRKT

DRAWING NO.

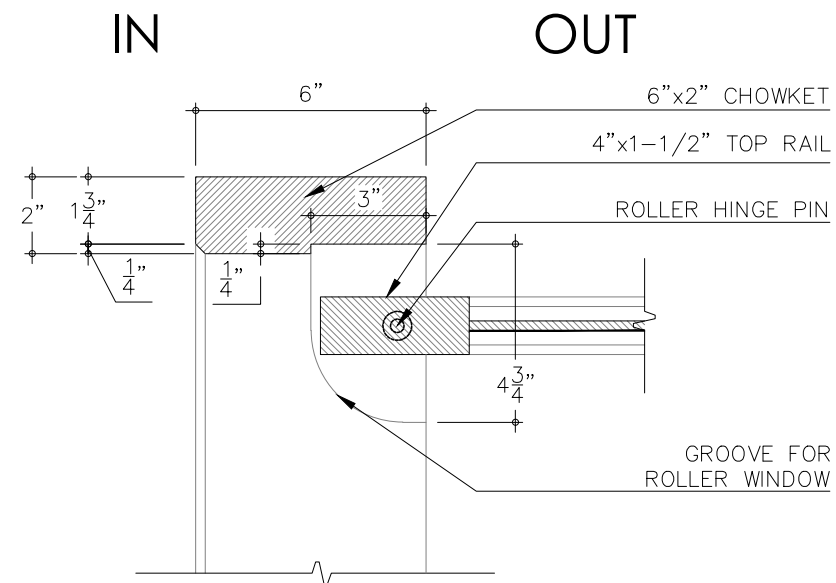
A-808



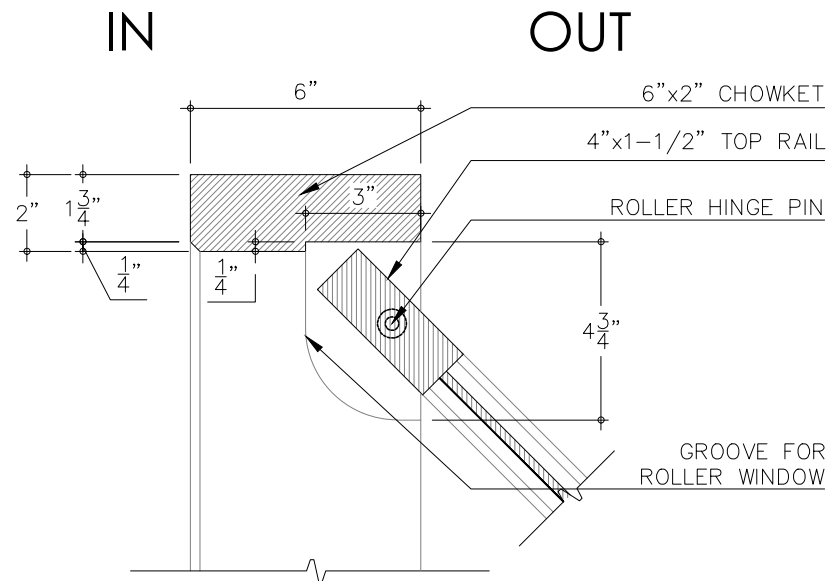
DETAIL 02
DR 02 Detail
Scale 1:5



DETAIL 03
DR 02 Detail
Scale 1:5




DETAIL 03 (90°)
DR 02 Detail
Scale 1:5



DETAIL 03 (45°)
DR 02 Detail
Scale 1:5

CONSTRUCTION

ARCHITECT

 No.675-676, Lawpita Road, 36 Quarter,
 North Dagon Myolthi, Yangon, Myanmar.
 Ph.: 09 791443353

OWNER /APPLICANT
 M.N.E.C (Nisa)

PROJECT TITLE
 TEMPORARY LEARNING CENTER

LOCATION
 MAWLAMYAING , MON STATE

STRUCTURAL ENGINEER

NOTES:
 - DO NOT SCALE DRAWINGS.

DATE	DESCRIPTION	REV

Drawing Title:
 DOOR DETAIL 09

PROJECT CODE	
SCALE	1:5
PAPER SIZE	A3
DATE	10.9.2021
DRAWN BY	KRKT

DRAWING NO.
A-809

CONSTRUCTION

ARCHITECT

 No.675-676, Lawpitta Road, 34 Quarter,
 North Dagon Myolthi, Yangon, Myanmar.
 Ph: 09 791443353

OWNER /APPLICANT
 M.N.E.C (Nisa)

PROJECT TITLE
 TEMPORARY LEARNING
 CENTER

LOCATION
 MAWLAMYAING , MON STATE

STRUCTURAL ENGINEER

NOTES:
 - DO NOT SCALE DRAWINGS.

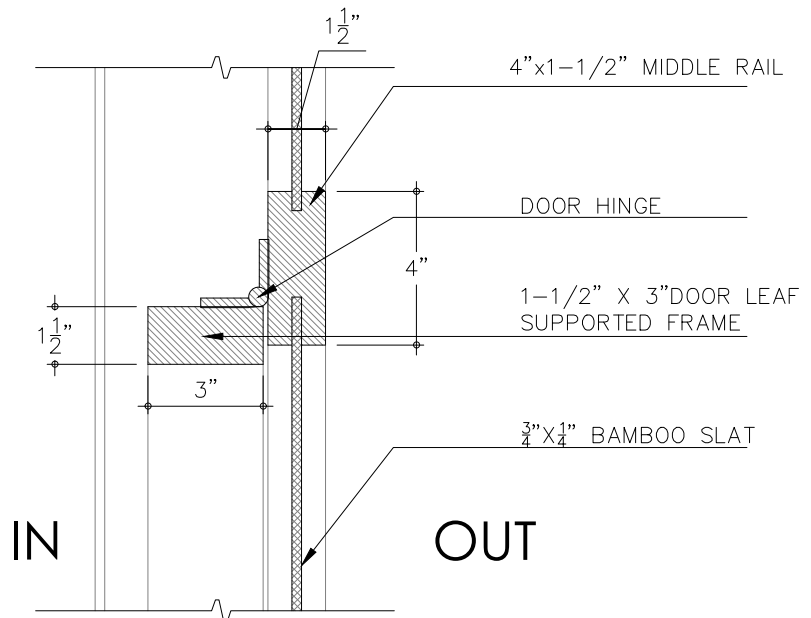
DATE	DESCRIPTION	REV

Drawing Title:
 DOOR DETAIL 10

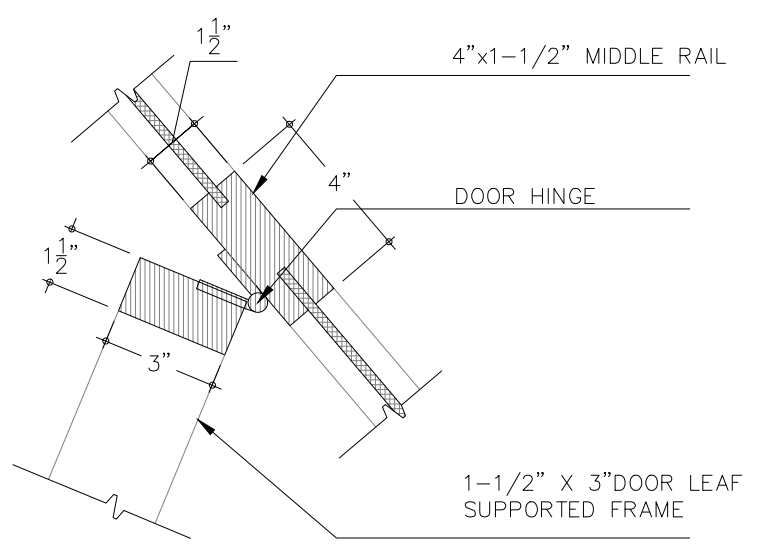
PROJECT CODE	A-DR
SCALE	1:5
PAPER SIZE	A3
DATE	10.9.2021
DRAWN BY	KRKT

DRAWING NO.
A-DR-810

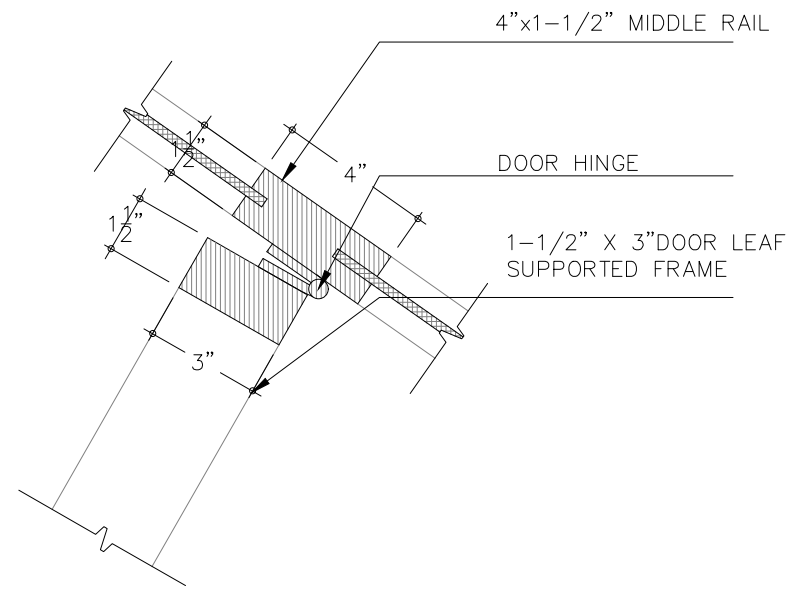
THIS DRAWING IS COPYRIGHT OF RANGOON DESIGNER STUDIO.



DETAIL 04
 DR 02 Detail
 Scale 1:5



DETAIL 05
 DR 02 Detail
 Scale 1:5



DETAIL 06
 DR 02 Detail
 Scale 1:5

CONSTRUCTION

ARCHITECT



No.675-676, Lawpitta Road, 34 Quarter,
North Dagon Myalthi, Yangon, Myanmar.
Ph.: 09 791443353

OWNER / APPLICANT

M.N.E.C (Nisa)

PROJECT TITLE

TEMPORARY LEARNING CENTER

LOCATION

MAWLAMYAING, MON STATE

STRUCTURAL ENGINEER

NOTES:
- DO NOT SCALE DRAWINGS.

DATE	DESCRIPTION	REV

Drawing Title:

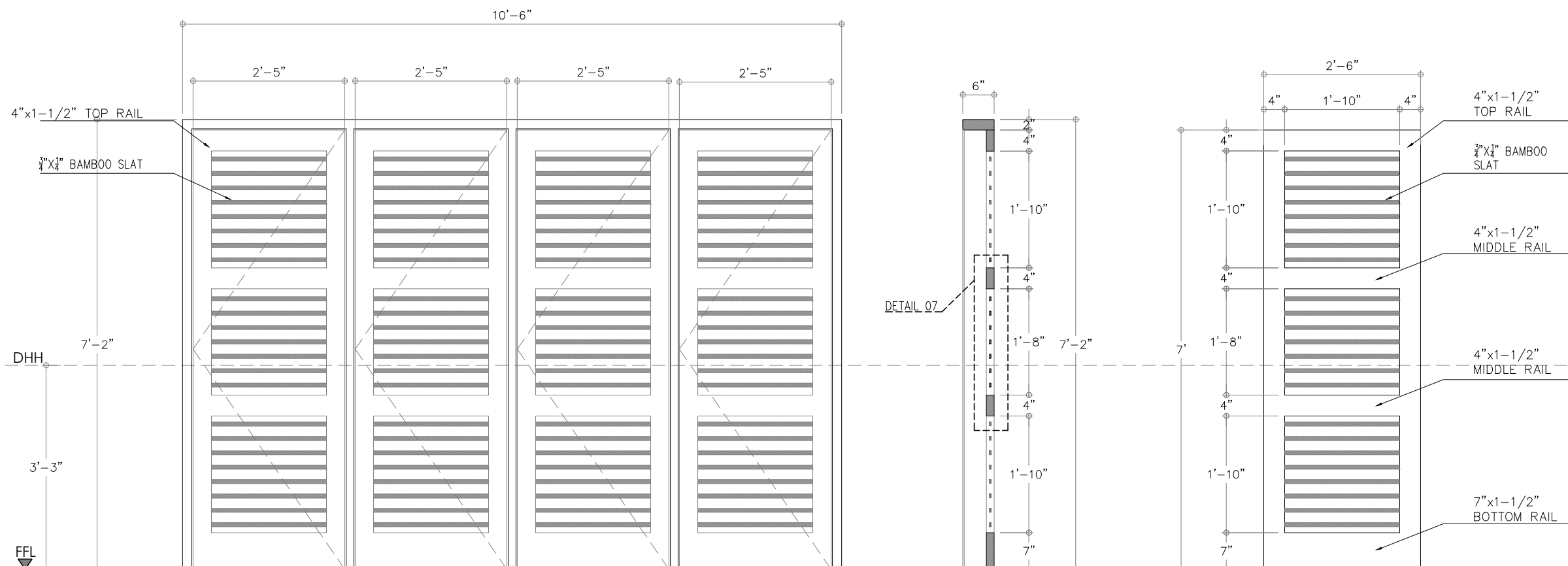
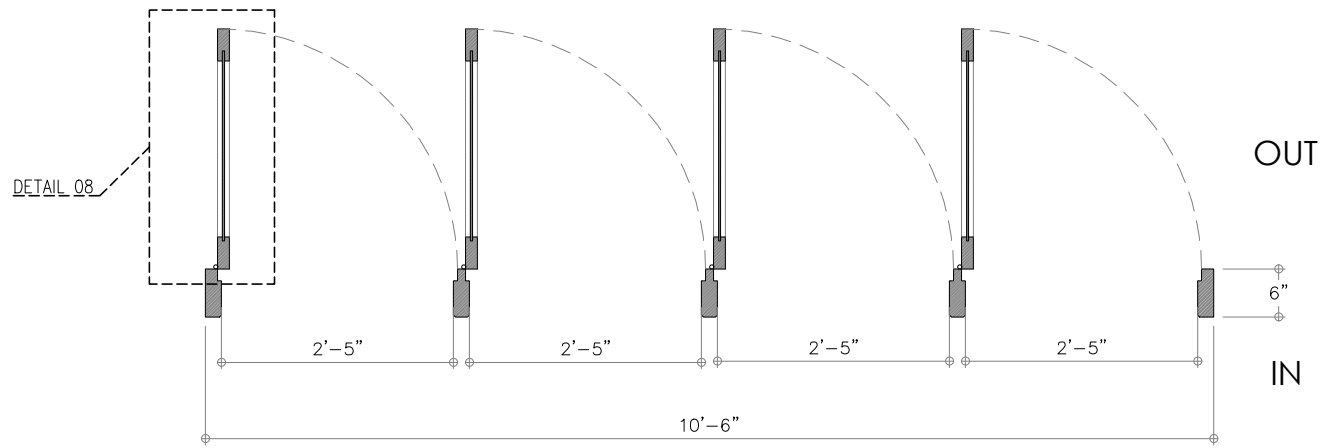
DOOR DETAIL 11

PROJECT CODE	A-DR
SCALE	1" = 2'-0"
PAPER SIZE	A3
DATE	10.9.2021
DRAWN BY	KRKT

DRAWING NO.

A-DR-811

THIS DRAWING IS COPYRIGHT OF RANGOON DESIGNER STUDIO.



DR 03
(6 Nos)
Temporary Learning Center
M.N.E.C (Nisa)
Scale 1" = 2'-0"

DR 03 (Door leaf)
Temporary Learning Center
M.N.E.C (Nisa)
Scale 1" = 2'-0"

NOTE
FFL (FINISHED FLOOR LEVEL)
DHH (DOOR HANDLE HEIGHT)

CONSTRUCTION

ARCHITECT



No.675-676, Lawpita Road, 36 Quater,
North Dagon Myothit, Yangon, Myanmar.
Ph : 09 791443353

OWNER / APPLICANT

M.N.E.C (Nisa)

PROJECT TITLE

TEMPORARY LEARNING CENTER

LOCATION

MAWLAMYAING , MON STATE

STRUCTURAL ENGINEER

NOTES:
- DO NOT SCALE DRAWINGS.

DATE	DESCRIPTION	REV

Drawing Title:

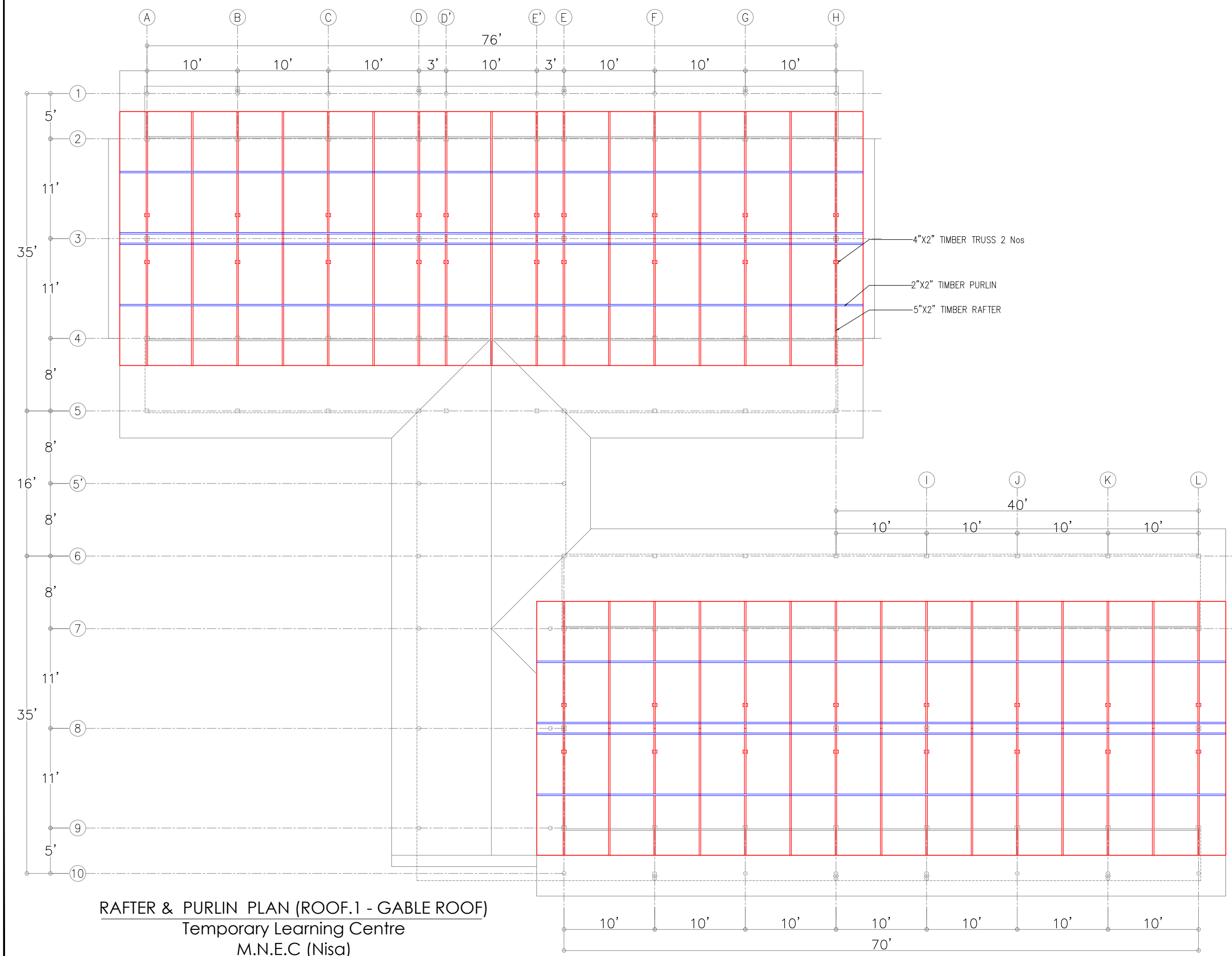
RAFTER & PURLIN PLAN
ROOF (1)-GABLE ROOF

PROJECT CODE	
SCALE	3" = 32'-0"
PAPER SIZE	A3
DATE	10.9.2021
DRAWN BY	SWH

DRAWING NO.

A-1101

THIS DRAWING IS COPYRIGHT OF RANGOON DESIGNER STUDIO.



RAFTER & PURLIN PLAN (ROOF.1 - GABLE ROOF)
Temporary Learning Centre
M.N.E.C (Nisa)
Scale 3" = 32' - 0"

CONSTRUCTION

ARCHITECT



No.675-676, Lawpita Road, 36 Quater,
North Dagon Myothit, Yangon, Myanmar.
Ph : 09 791443353

OWNER / APPLICANT

M.N.E.C (Nisa)

PROJECT TITLE

TEMPORARY LEARNING
CENTER

LOCATION

MAWLAMYAING , MON STATE

STRUCTURAL ENGINEER

NOTES:
- DO NOT SCALE DRAWINGS.

DATE	DESCRIPTION	REV

Drawing Title:

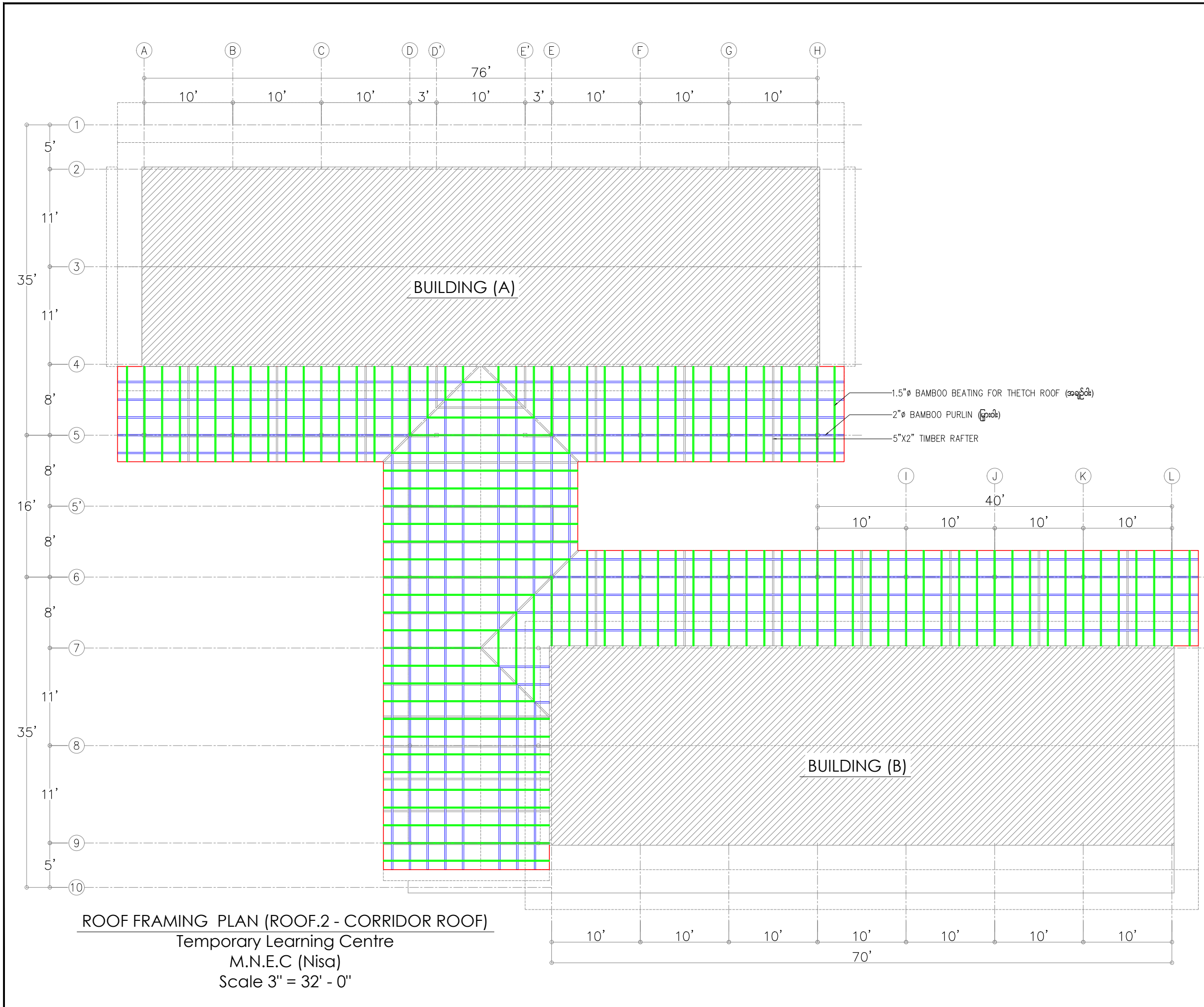
ROOF FRAMING PLAN
ROOF (2)-CORRIDOR ROOF

PROJECT CODE	
SCALE	3" = 32'-0"
PAPER SIZE	A3
DATE	10.9.2021
DRAWN BY	SWH

DRAWING NO.

A-1104

THIS DRAWING IS COPYRIGHT OF RANGOON DESIGNER STUDIO.



ROOF FRAMING PLAN (ROOF.2 - CORRIDOR ROOF)
Temporary Learning Centre
M.N.E.C (Nisa)
Scale 3" = 32' - 0"

CONSTRUCTION

ARCHITECT
Studio PinkDoe.
 human function space value
 No.675-676, Lawpita Road, 36 Quater,
 North Dagon Myothit, Yangon, Myanmar.
 Ph : 09 791443353

OWNER / APPLICANT
 M.N.E.C (Nisa)

PROJECT TITLE
 TEMPORARY LEARNING CENTER

LOCATION
 MAWLAMYAING , MON STATE

STRUCTURAL ENGINEER

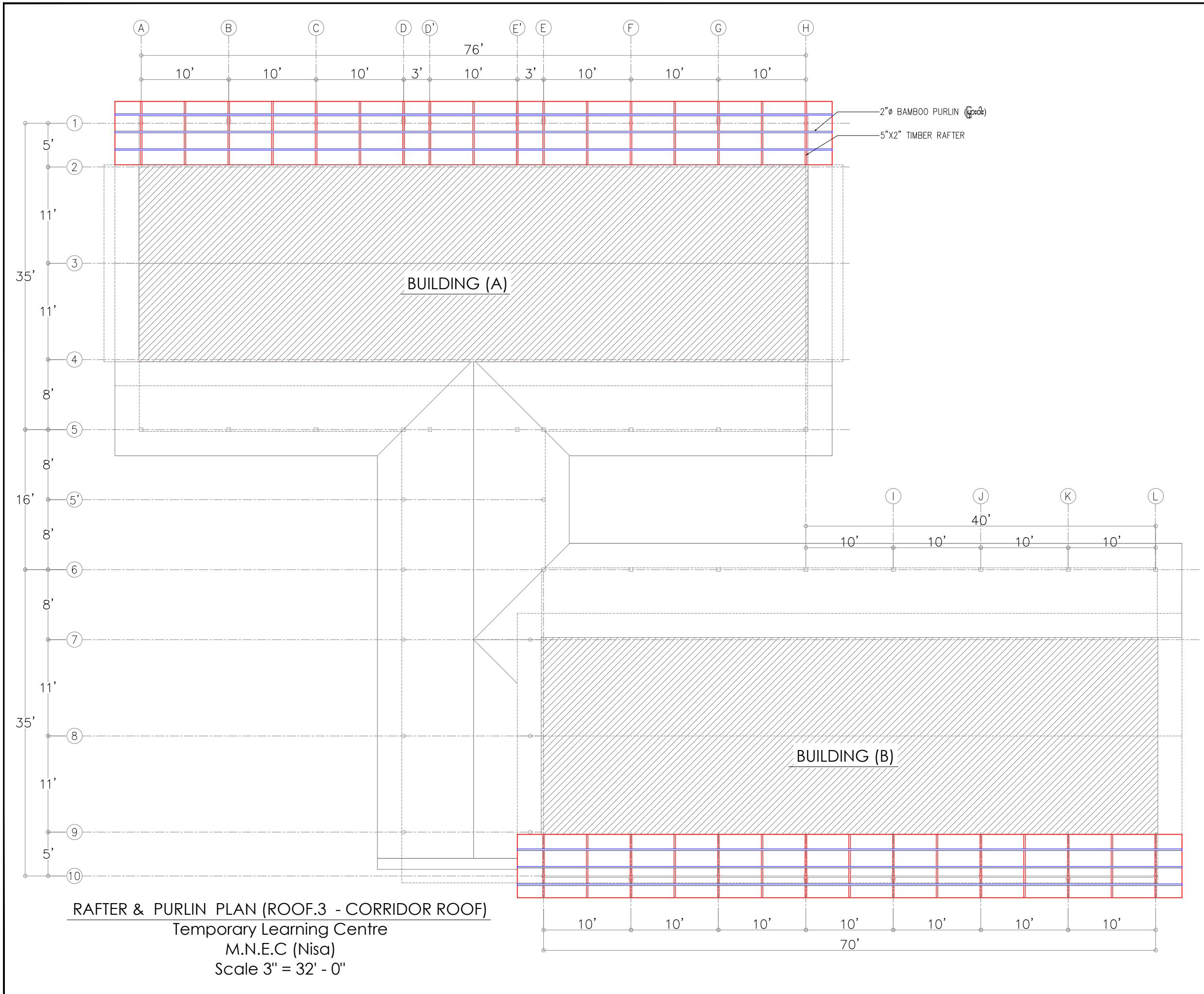
NOTES:
 - DO NOT SCALE DRAWINGS.

DATE	DESCRIPTION	REV

Drawing Title:
**RAFTER & PURLIN PLAN
 ROOF (3)-CORRIDOR ROOF**

PROJECT CODE	
SCALE	3" = 32'-0"
PAPER SIZE	A3
DATE	10.9.2021
DRAWN BY	SWH

DRAWING NO.
A-1105



RAFTER & PURLIN PLAN (ROOF.3 - CORRIDOR ROOF)
 Temporary Learning Centre
 M.N.E.C (Nisa)
 Scale 3" = 32' - 0"

CONSTRUCTION

ARCHITECT



No.675-676, Lawpita Road, 36 Quater,
North Dagon Myothit, Yangon, Myanmar.
Ph : 09 791443353

OWNER / APPLICANT

M.N.E.C (Nisa)

PROJECT TITLE

TEMPORARY LEARNING
CENTER

LOCATION

MAWLAMYAING , MON STATE

STRUCTURAL ENGINEER

NOTES:
- DO NOT SCALE DRAWINGS.

DATE	DESCRIPTION	REV

Drawing Title:

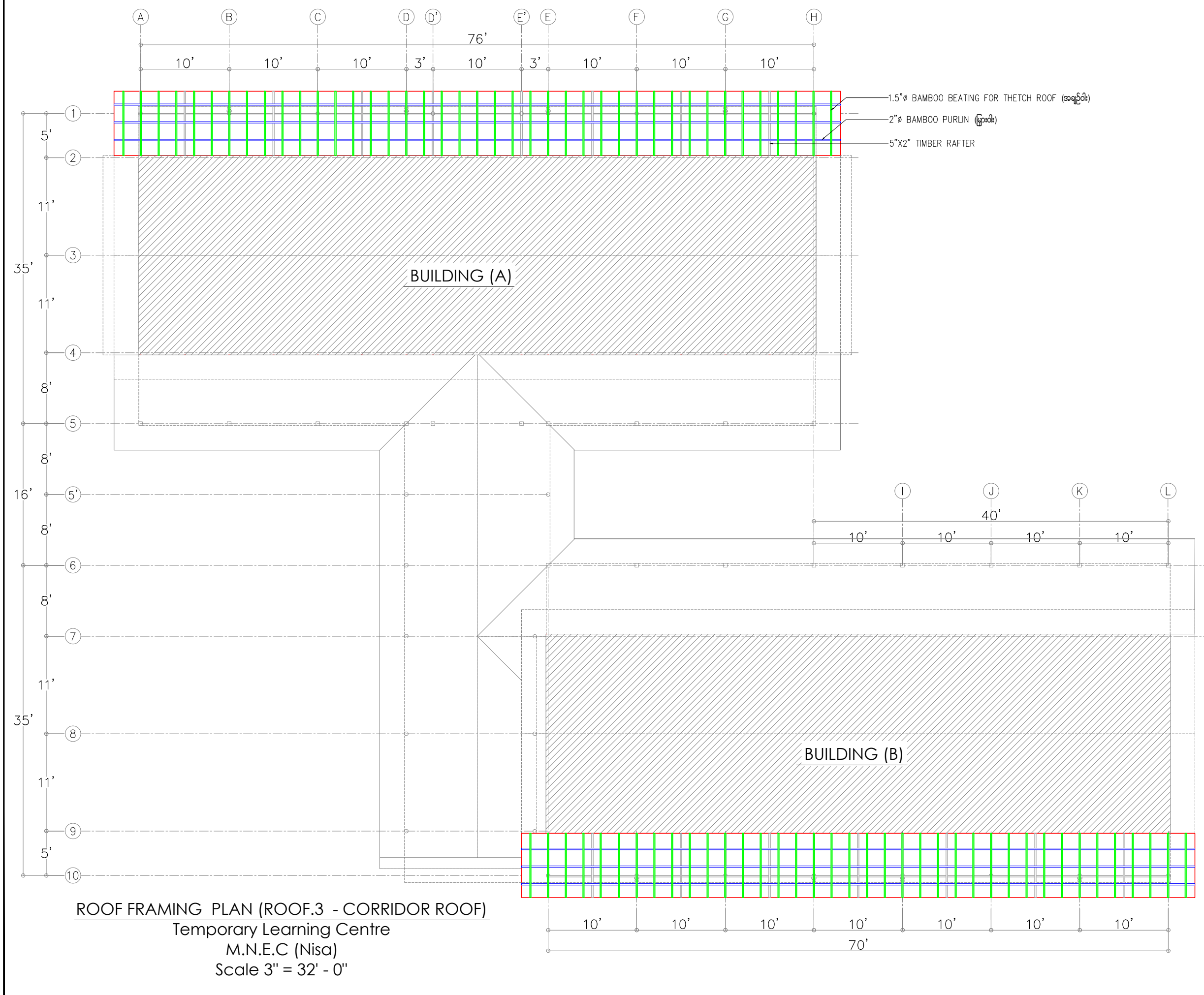
ROOF FRAMING PLAN
ROOF (3)-CORRIDOR ROOF

PROJECT CODE	
SCALE	3" = 32'-0"
PAPER SIZE	A3
DATE	10.9.2021
DRAWN BY	SWH

DRAWING NO.

A-1106

THIS DRAWING IS COPYRIGHT OF RANGOON DESIGNER STUDIO.



ROOF FRAMING PLAN (ROOF.3 - CORRIDOR ROOF)
Temporary Learning Centre
M.N.E.C (Nisa)
Scale 3" = 32' - 0"

CONSTRUCTION

ARCHITECT

 No.675-676, Lawpita Road, 36 Quater,
 North Dagon Myothit, Yangon, Myanmar.
 Ph : 09 791443353

OWNER / APPLICANT
 M.N.E.C (Nisa)

PROJECT TITLE
 TEMPORARY LEARNING CENTER

LOCATION
 MAWLAMYAING , MON STATE

STRUCTURAL ENGINEER

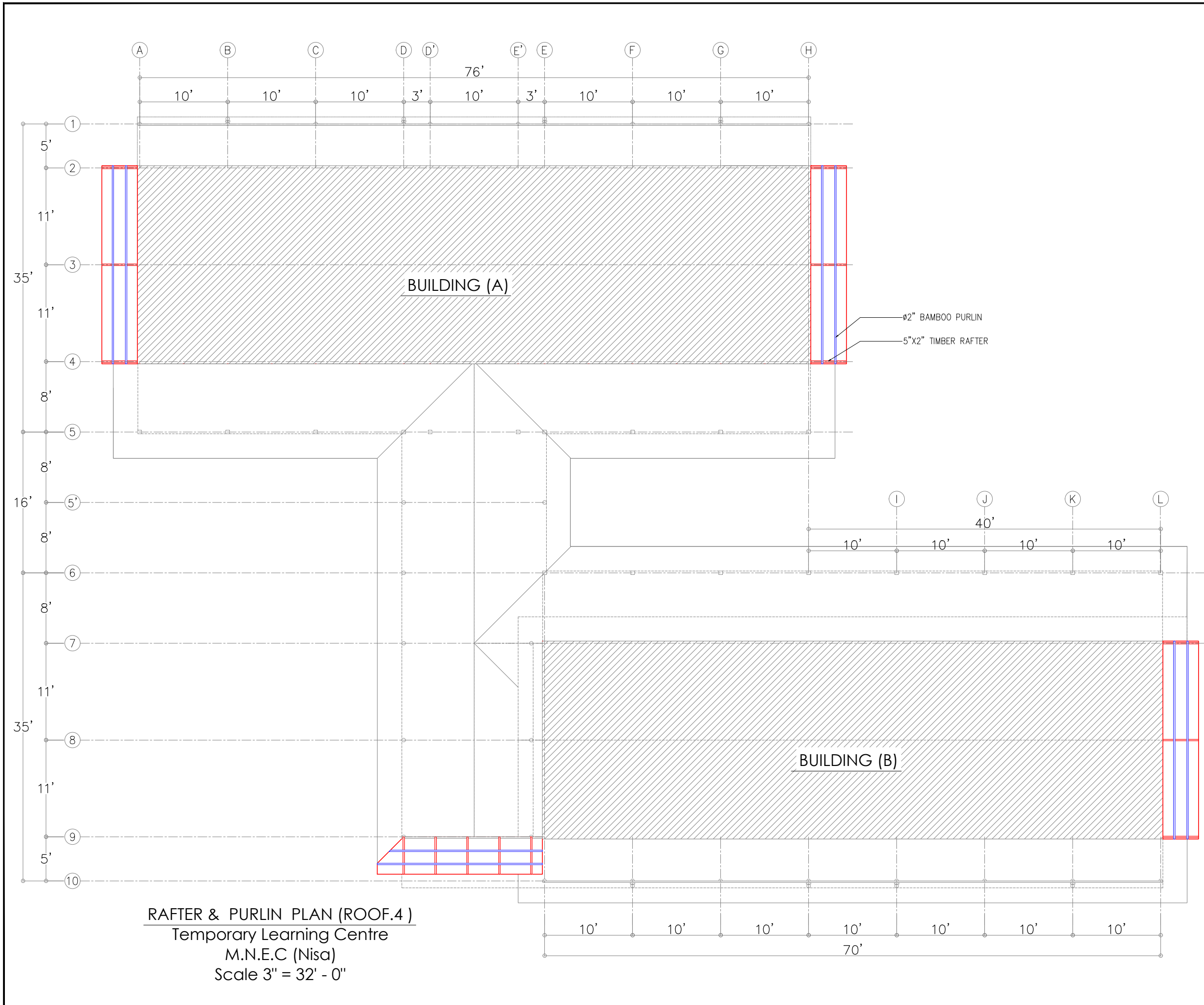
NOTES:
 - DO NOT SCALE DRAWINGS.

DATE	DESCRIPTION	REV

Drawing Title:
 RAFTER & PURLIN PLAN
 ROOF (4)

PROJECT CODE	
SCALE	3" = 32'-0"
PAPER SIZE	A3
DATE	10.9.2021
DRAWN BY	SWH

DRAWING NO.
A-1107



RAFTER & PURLIN PLAN (ROOF.4)
 Temporary Learning Centre
 M.N.E.C (Nisa)
 Scale 3" = 32' - 0"

CONSTRUCTION

ARCHITECT



No.675-676, Lawpita Road, 36 Quarter,
North Dagon Myothit, Yangon, Myanmar.
Ph : 09 791443353

OWNER / APPLICANT

M.N.E.C (Nisa)

PROJECT TITLE

TEMPORARY LEARNING
CENTER

LOCATION

MAWLAMYAING , MON STATE

STRUCTURAL ENGINEER

NOTES:
- DO NOT SCALE DRAWINGS.

DATE	DESCRIPTION	REV

Drawing Title:

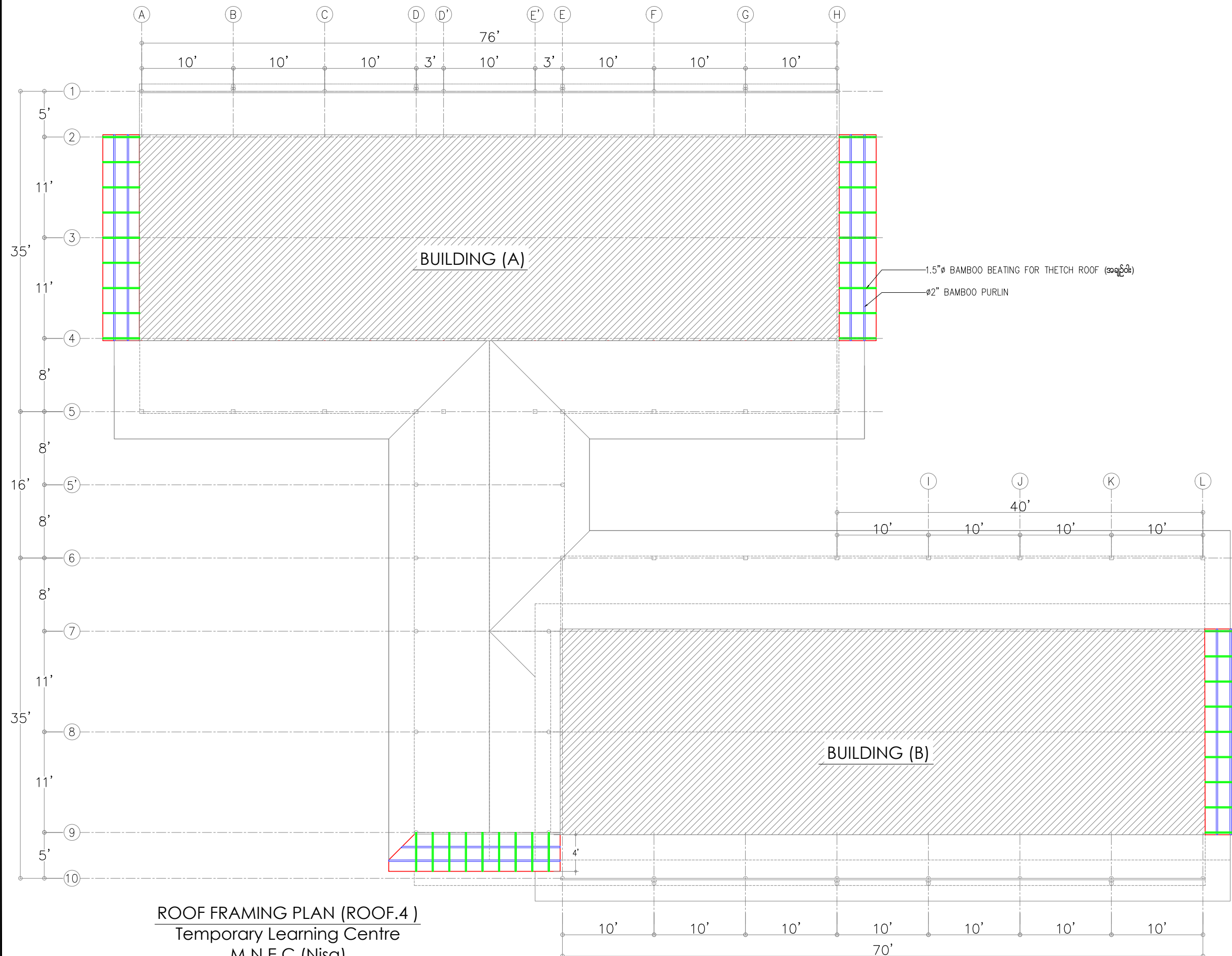
ROOF FRAMING PLAN
ROOF (4)

PROJECT CODE	
SCALE	3" = 32'-0"
PAPER SIZE	A3
DATE	10.9.2021
DRAWN BY	SWH

DRAWING NO.

A-1108

THIS DRAWING IS COPYRIGHT OF RANGOON DESIGNER STUDIO.



ROOF FRAMING PLAN (ROOF.4)
Temporary Learning Centre
M.N.E.C (Nisa)
Scale 3" = 32' - 0"